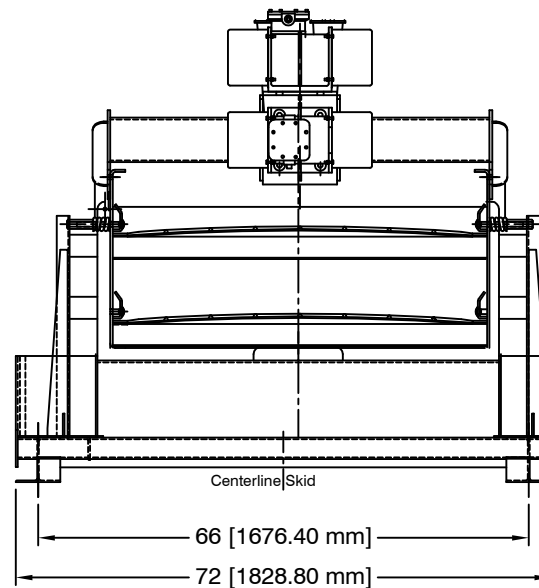
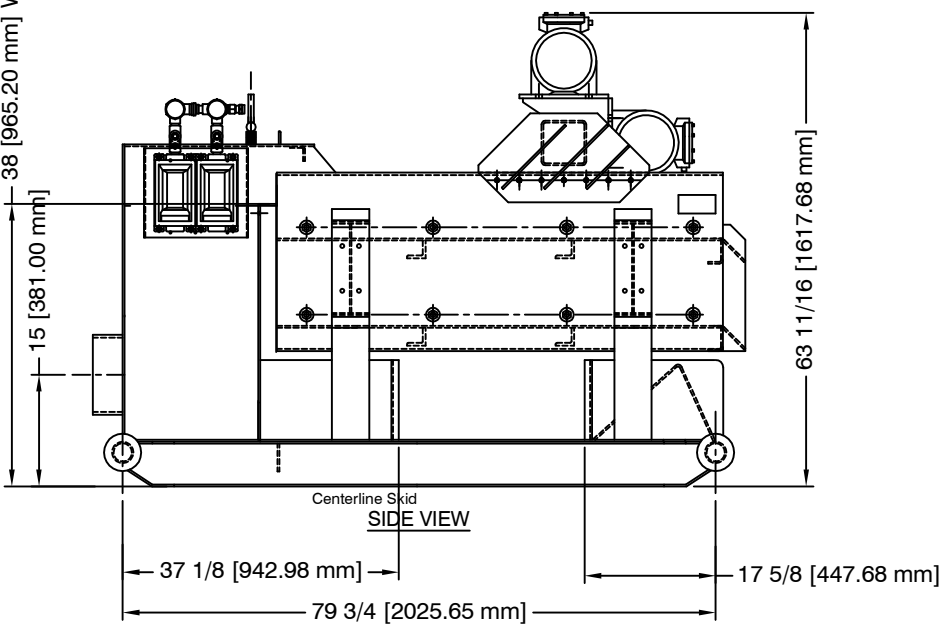


38 [965.20 mm] WEIR HIGH



REVISIONS		NO.	ZONE	DESCRIPTION	BY	DATE

NOTES
 1. All dimensions are in inches unless otherwise noted.

NOTICE
 The information contained herein is proprietary and may not be copied or transmitted to another party without the written consent of the owner, THE DOUBLE LIFE CORP., INC.

DL the double life corp., inc.
 TITLE
CUSTOMER INSTALLATION & DIMENSIONAL DRAWING
4x5 LINEAR SHAKER (SANDWICH MOUNTS)
WITH ENCAPSULATED MOTORS DESIGNED BY SB

PART NO.	DRAWN BY	DATE	SCALE
	MW	3-11-03	NTS
SHEET NO.	DRAWING NO.	REV. NO.	SIZE
1/1	99-00144	0	A
			SEQ.
			1