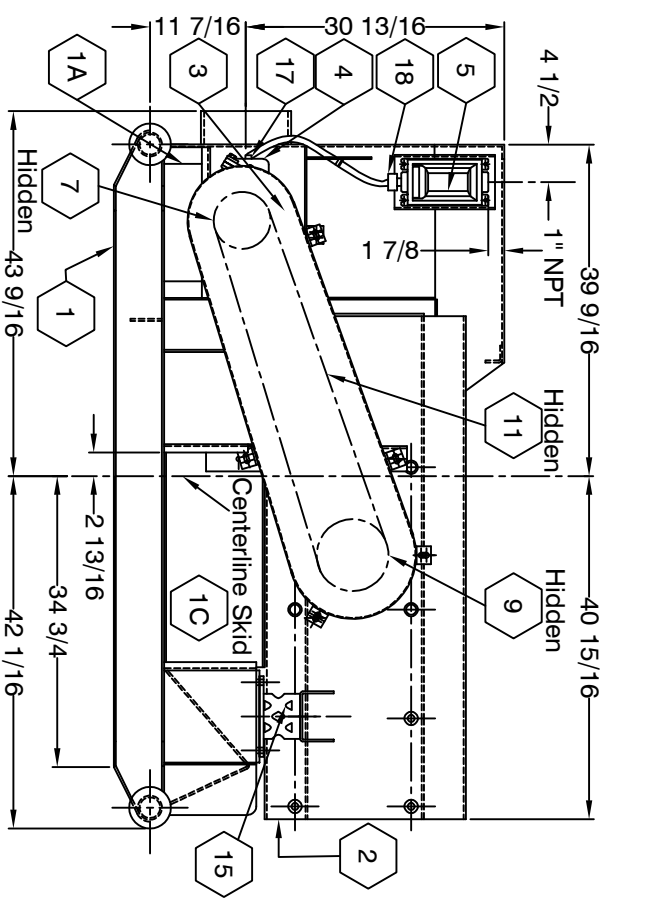
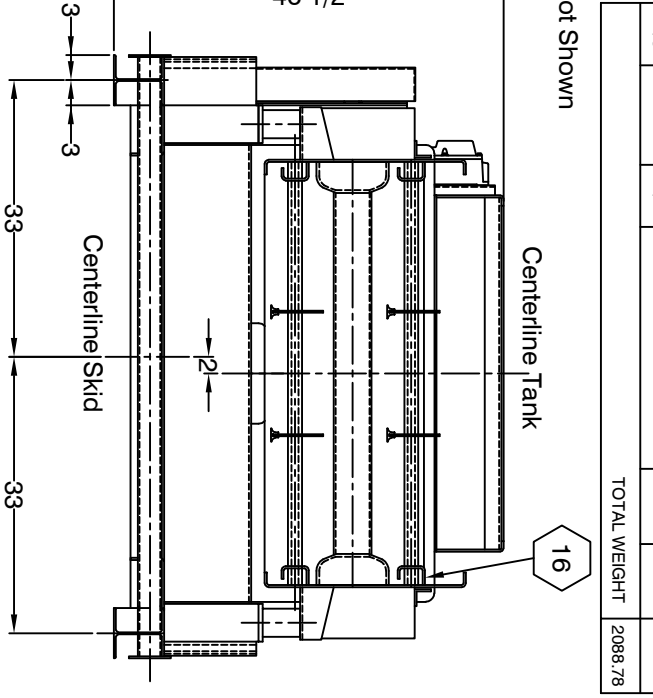


PLAN VIEW



SIDE VIEW



END VIEW

BILL OF MATERIALS						
MARK	PART NO.	QUAN.	DESCRIPTION	LENGTH	WIDTH	WEIGHT
1	530000	1	Skid Assembly			1344.84
1A	F916/2	1	Motor Mount Assembly			21.30
1B	700012	1	By Pass Gate Assembly			12.07
1C	700016	1	Slide Gate			23.82
2	700063	1	Basket Assembly			711.03
3	700019	1	Belt Guard Assembly			51.77
4	520004	1	Drive Motor			115.00
5	500010	1	Starter			10.75
6	700006	4	Screen Cushion			10.00
7	700003	1	Drive Sheave			9.50
8*	700004	1	Drive Sheave Bushing			1.00
9	700031	1	Driven Sheave			13.00
10*	700032	1	Driven Sheave Bushing			2.00
11	700002	1	Drive Belt			2.00
12*	700036	2	Bearing			13.00
13	700030	1	Drive Shaft			114.99
14	700007	8	Tension Bolt Assembly			16.00
15	700005	4	Shock Mount			46.00
16	F945/XX	2	Floating Tension Rail (Cust to specify)			55.79
17	560116	1	Elbow			0.05
18	560113	1	Cable Gland			0.50
TOTAL WEIGHT						2088.78

* Not Shown

NOTES		REVISIONS		BY	DATE
1. All dimensions are in inches unless otherwise noted.		NO.	ZONE	DESCRIPTION	
2. Ref. Dwg. No. 16-00910					

DC the double life corp., inc.

CUSTOMER DRAWING
INSTALLATION DRAWING & PARTS LISTING
4 x 5 SINGLE TANDEN SHAKER

PART NO. 530000
 DRAWN BY MW
 DATE 9/21/98
 SHEET NO. 1/1
 DRAWING NO. 99-00952

SCALE NTS
 SIZE A
 SHEET 1

NOTICE
 The information contained herein is proprietary and may not be copied or transmitted to another party without the written consent of the owner, THE DOUBLE LIFE CORP., INC.