

AWD LP DRYING SHAKER

The Next Generation of Fine Screen Linear Motion Shakers

- Available in 3 or 4 panel configurations
- **DLC** has introduced our next generation of fine screen linear motion shakers.
- **DLC** has incorporated **Martin Engineering** Screen Vibrators to produce the most cost effective shaker on the market to date
- All motors are warranted for five(5) years from date of shipment. This is a mechanical warranty and is backed by **Double Life** and **Martin Engineering**. . B10 bearing life is calculated to be 35,000 hours.
- Each motor is capable of producing 7,700 lbs. force to attain up to 8 G's on our panel basket
- Variable G-Force is available to suit contractor's needs. Motor voltage is available in either 50 or 60 hertz, and all are dual voltage.
- **Adjustable While Drilling / AWD III** Shaker enables deck adjustments quickly to raise or lower the basket from -1 to +6. This allows for proper conveyance of solids without interrupting drilling operation. Increased capacity, longer screen life, and optimal solids removal are the end result of the next generation **AWD III**

Additional features of the AWD III:

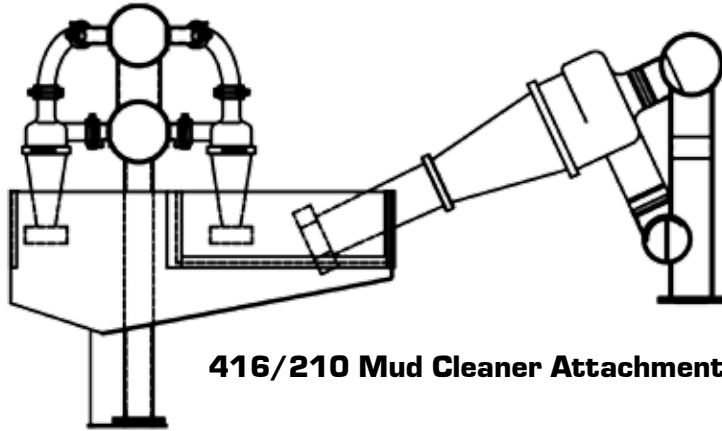
- All high wear area of the basket are manufactured from 316 Stainless Steel.
- Quick and simple screen replacement is accomplished with rapid change screen wedges
- **Double Life** has designed these baskets to accept popular types of screens such as flat and corrugated types of panels.
- The new basket has all the features of our standard AWD III, now can be fitted for pre-tensioned screens
- The screens used in this **PT** basket are readily available throughout the oil field.
- Modular design: same basket can be used for flowline, mud cleaning, and/or drying applications

200 N. Rockwell Ave. Oklahoma City, OK 73162

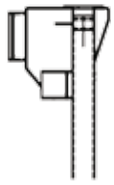
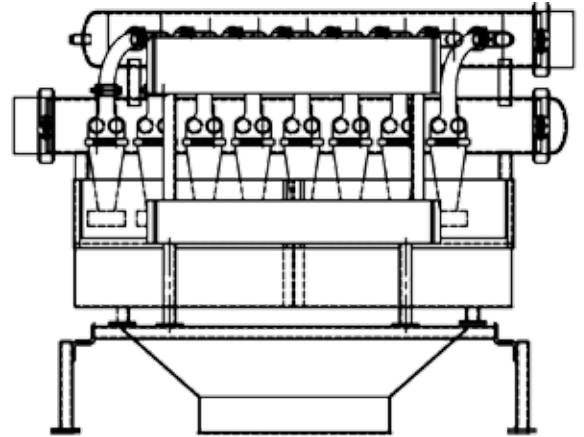
Phone 405.789.7867 • Fax 405.792.2202 • Toll Free 877.888.PUMP (7867) www.doublelifecorp.com

MODULAR MUD CLEANER ATTACHMENTS

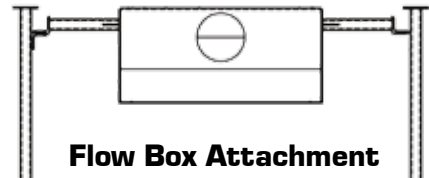
- Mounts directly to skid frame for easy installation
- Available with up to 20qty 4" or 5" desilter cones & up to 3qty 10" desander cones
- Optional flow box is also available
- Optional Skid With Possum Belly available



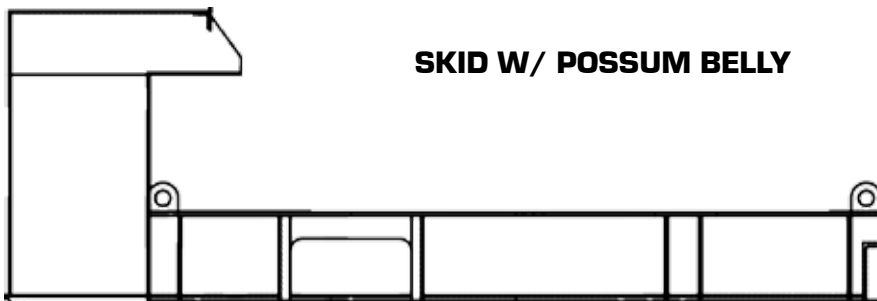
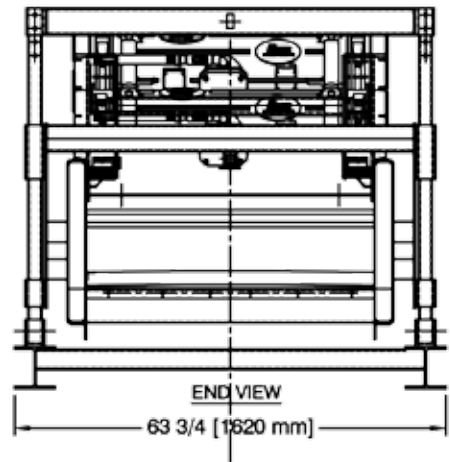
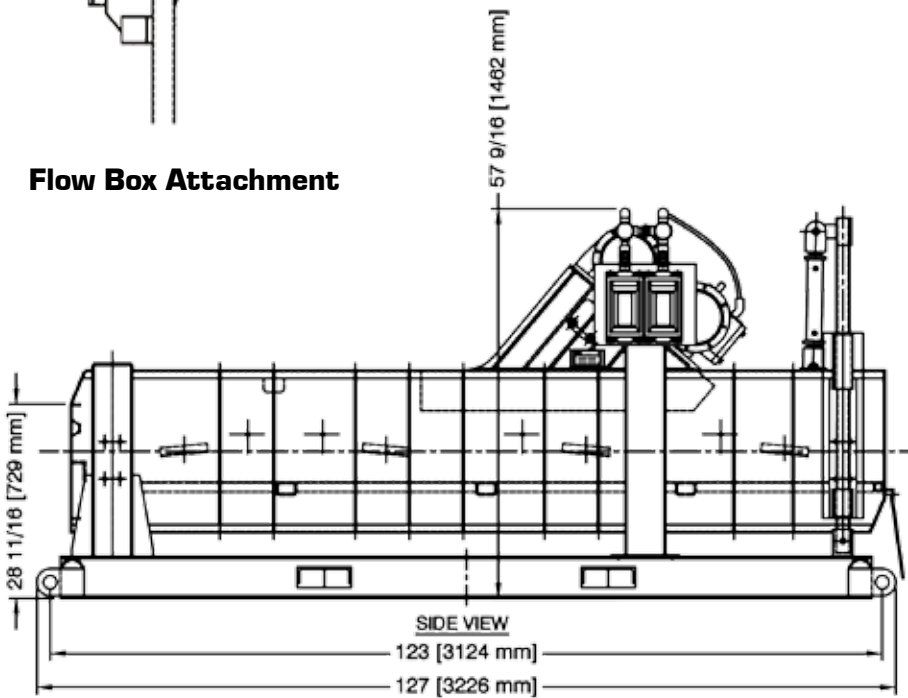
416/210 Mud Cleaner Attachment



Flow Box Attachment



Flow Box Attachment



SKID W/ POSSUM BELLY

