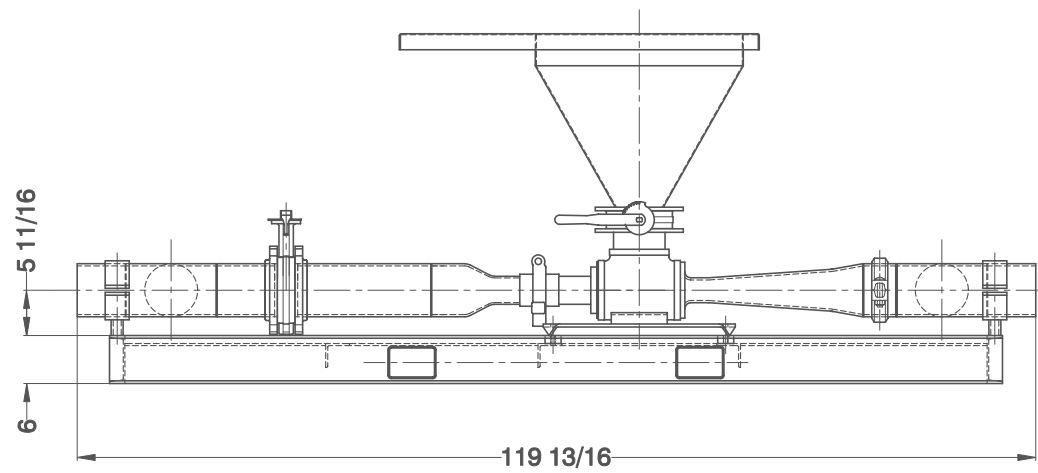
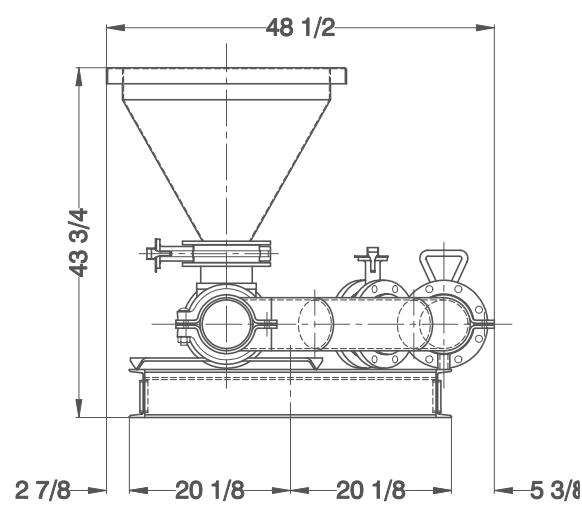


PLAN VIEW



SIDE ELEVATION VIEW



END ELEVATION VIEW

BILL OF MATERIAL				
MARK	PART NO.	QUAN.	DESCRIPTION	WEIGHT
1	F601	1	Skid	262.79
2	01020	1	6" In-Line Shearing Device	243.60
3	0355	1	6" Hopper Assembly	305.00
4	0141	1	6" Venturi Tube	49.50
5	F602	1	6" Std. Piping Assembly	374.75
TOTAL WEIGHT (Lbs.):				1235.64

REVISIONS			
NO.	DESCRIPTION	DATE	BY
1	X-ed Union frm. F.S. Hex to Hammer Union	12/20/97	DH

NOTES			
1. All dimensions are in inches unless otherwise noted.			
<p><b>NOTICE</b>            The information contained herein is proprietary and may not be copied or transmitted to another party without the written consent of the owner, THE DOUBLE LIFE CORP., INC.</p>			
<p><b>DC</b> the double life corp., inc.</p>			
<p><b>INSTALLATION DRAWING</b>  <b>6" MUD HOPPER WITH VENTURI</b>  <b>&amp; 6" IN-LINE SHEARING DEVICE</b></p>			
PART NO.	DRAWN BY	DATE	SCALE
	JDH	4/8/97	NTS
SHEET NO.	DRAWING NO.	REV. NO.	SIZE
1/1	99-00603	1	A
			SEC.
			1