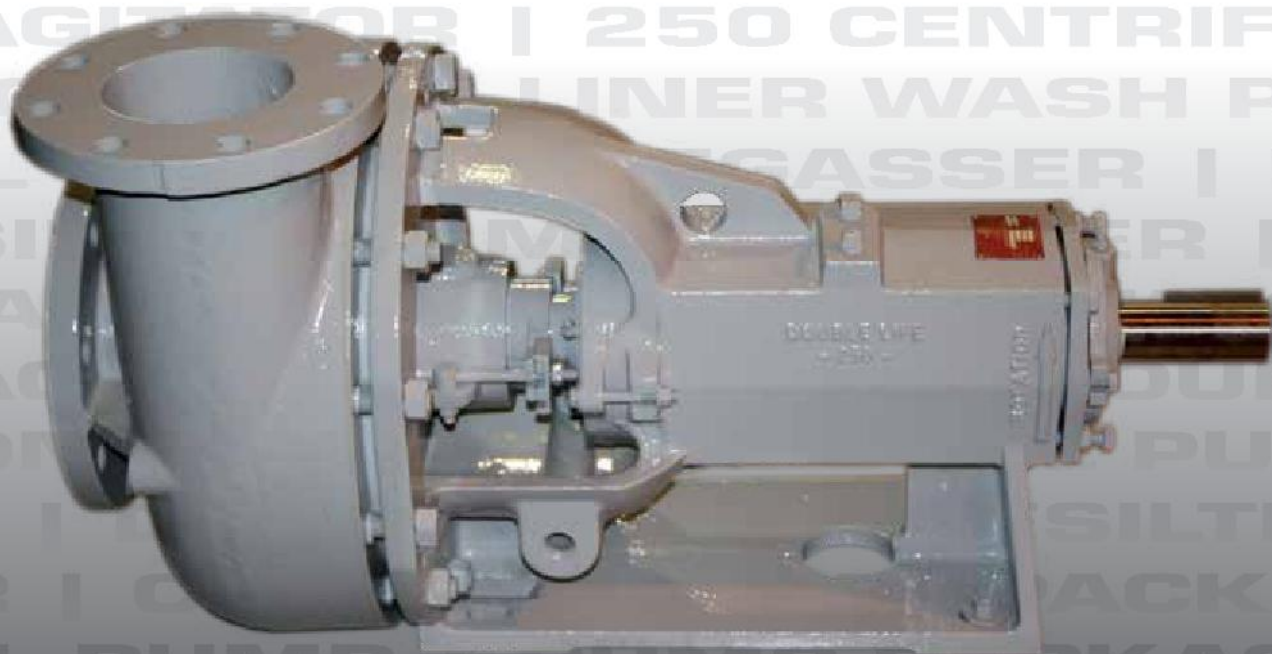


Solids Control / Centrifugal Pumps



DoubleLife
Corporation



200 N. Rockwell Oklahoma City, OK 73127 | 877.888.7867 (Toll-Free)
405.789.7867 (PUMP) | Fax: 405.792.2202 | www.doublelifecorp.com
sales@doublelifecorp.com



The Double Life Corporation

The Double Life family of pumps are designed and engineered to provide long lasting, low maintenance service in drilling fluid or industrial slurry applications. These heavy-duty pumps have been field tested, and meet the most exacting standards for rugged and demanding applications. The Double Life Corporation will offer the best choice for the intended application, taking into consideration fluid conditions.

Double Life pumps performance give them the edge in drilling and industrial operations due to: high volume, high temperature experience, pumping highly abrasive, high viscosity, and corrosive fluids.

These pumps assure long life, outstanding performance, and ease of maintenance with overall economy and are currently in operation on offshore rigs and land based rigs worldwide.

DRILLING APPLICATIONS:

- **MUD MIXING AND SHEARING OPERATIONS**
- **DESANDING AND DESILTING**
- **DEGASSING**
- **SUPERCHARGING**
- **CENTRIFUGAL FEED**
- **MUD COOLING TOWERS**
- **WASH-DOWN**
- **CHEMICAL, REFINERY, INDUSTRIAL, CONSTRUCTION AND AGRICULTURAL APPLICATIONS**



The Double Life Corporation

THE DOUBLE LIFE 250 SERIES MODEL PUMP

will outlast and is more powerful and easier to maintain than other conventional pumps on the market today. Greater capacity and higher heads can be achieved with the same piping and base mountings as other conventional pumps. The extended life and performance of this pump has proven to show greater savings for the toughest jobs. The sizing offered are 3x2x13 through 8x6x14.

FEATURES:

THE 250 SERIES CONCENTRIC PUMP HOUSINGS

are heavier and stronger to outlast conventional pumps. The housings are thicker for extra strength and extended service life. The concentric design allows the distance between the impellers and the housing to be the same at all points. The pumps provides streamlined flow, even at shutoff. The concentric housing eliminates turbulence and cavitation within the pump. It also reduces the radial load of the bearings. The required suction pressure is lower due to the full pipe diameter of the pump entrance. The housing gasket is recessed to protect it from fluid leaving the impeller.

THE 250 SERIES OPEN-VANED IMPELLER

eliminates recirculation which occurs in closed impellers. This impeller is designed to reduce turbulence, lower radial and thrust loads, and provides a smooth flow of fluid through the pump. Housing wear is reduced by eliminating high scrubbing action that occurs on conventional pumps. The 250 series impeller is designed to allow fluid leaving the impeller to blend with recirculating fluid to reduce abrasive wear the casing. The impeller is screwed on and the threads are protected by an o-ring. The open-vaned impeller is locked in place by the use of a special reverse thread impeller bolt. The 250 series pump and impeller are designed to increase service life many times over that of conventional pumps.

THE 250 SERIES SHAFT

has a greater diameter shaft to provide heavy-duty performance with minimal shaft deflection. This design extends the packing life. The replacement shaft sleeve allows the wear under the packing to be renewed without replacing the entire shaft. The shaft sleeve and mechanical seal can be replaced without removing the shaft from the pump.

THE 250 SERIES BEARINGS ARE DESIGNED

for easy maintenance. The outboard bearings are comprised of two angular contact bearings with high thrust load ratings and zero end play. The inboard bearing is a heavy-duty, double row ball bearing with a high radial load capacity to compensate for the larger impeller sizes and heavy-duty applications. DL only uses the best bearings available.

THE 250 SERIES STUFFING BOX COVER

combines the functions of wear plate and stuffing box into a one-piece replacement unit. Two bolts holds the slip fitted stuffing box in place. The 250 series stuffing box is available for packing or mechanical seal operations. The slip fit design allows easy access to the shaft sleeve.

THE DOUBLE LIFE 250 MECHANICAL SEAL

This top quality seal is manufactured from the finest material available today. This seal delivers superior performance due to superior design. Our seal distributes drive torque over 10 drive tabs, which are 25-50% thicker than others on the market, therefore reducing stress on the outer retainer. All metal parts are manufactured of 316 stainless steel. Elastomers are manufactured from Viton. Seal faces are tungsten carbide for both rotating and stationary.

THE DOUBLE LIFE 250 “DL-DELUX” FLUID END.

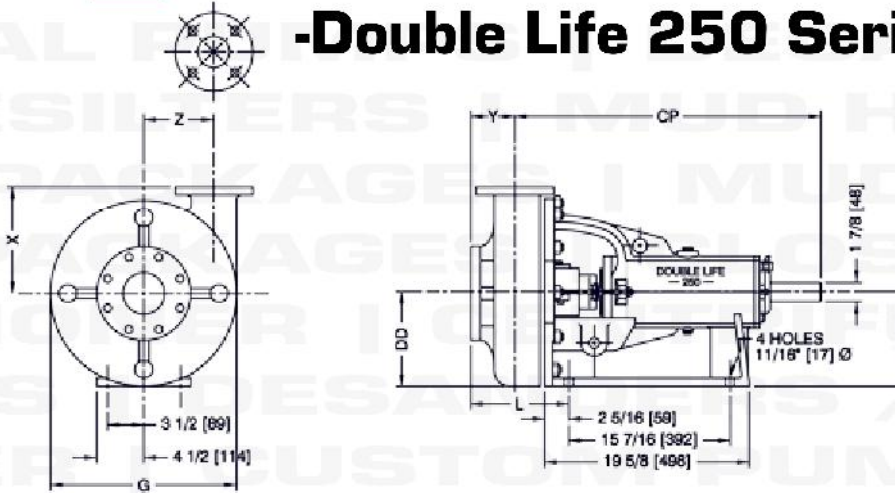
Double life is now offering “DL” extended life fluid ends which include the stuffing box, impeller, and housing assembly. These parts are poured from the highest grade of ductile iron, then finished to exacting specifications. After machining and inspections, these parts can be processed through a quench and temper heat treating facility to fully harden the parts throughout if requested. During this process the parts are hardened to 40-45 ROCKWELL-C scale, this gives the “DL” parts the hardness to withstand the harshest of pumping conditions. Look to Double Life for extended pump life.





The Double Life Corporation

-Double Life 250 Series Pumps-

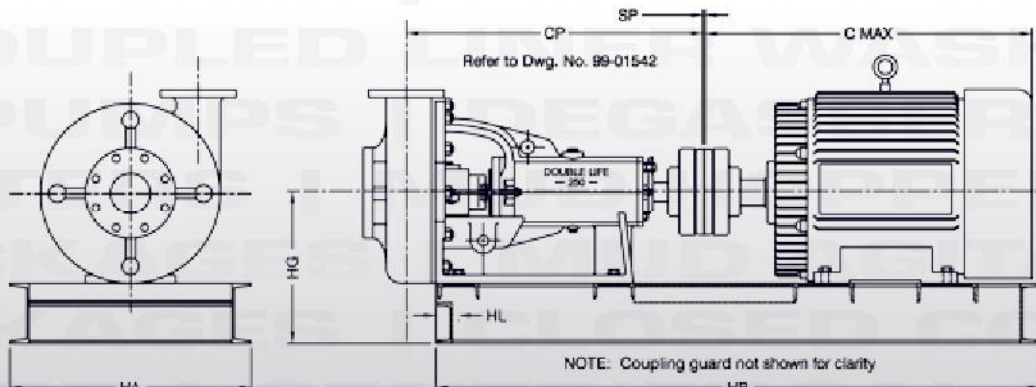


Dimensions below are standard 125 lb. Cast Iron or Series 150 Steel Flat Face.

FLANGE DIMENSIONS

SIZE	ID		OD		BC		THICKNESS		NO. OF HOLES	SIZE	
	In.	mm.	In.	mm.	In.	mm.	In.	mm.		In.	mm.
2	2	51	6	152	4 3/4	121	1/16	16	4	3/4	19
3	3	76	7 1/2	191	6	152	3/4	18	4	3/4	19
4	4	102	9	229	7 1/2	191	15/16	24	8	3/4	19
5	5	127	10	254	8 1/2	216	15/16	24	8	7/8	22
6	6	152	11	279	9 1/2	241	1	26	8	7/8	22
8	8	203	13 1/2	343	11 3/4	298	1 1/8	29	8	7/8	22

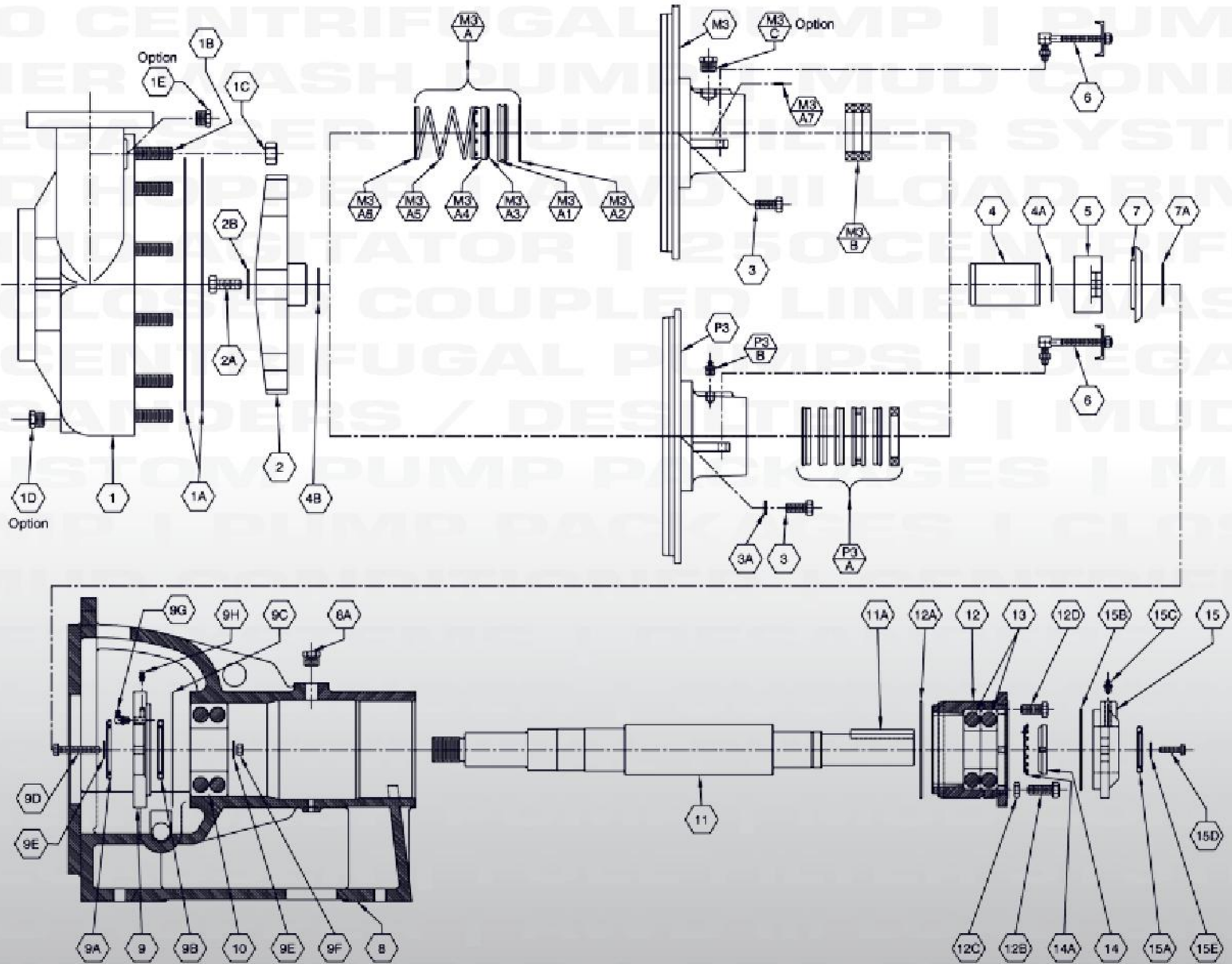
PUMP SIZE	G		In.	mm.	In.	mm.	In.	mm.	In.	mm.	In.	mm.	In.	mm.	WEIGHT	
	In.	mm.													lbs.	kgs.
3 x 2 x 13	17 7/8	454	8 3/4	222	10 1/4	260	3 3/4	95	7	176	29 1/4	743	8 15/16	227	490	222
4 x 3 x 13	17 7/8	454	9 3/8	238	10 1/4	260	4 1/4	108	6 3/4	171	29 3/8	746	8 15/16	227	515	234
5 x 4 x 14	19	483	10 3/4	273	11	279	5	127	6 1/8	156	30	762	9 1/2	241	540	245
6 x 5 x 11	17 7/8	454	12 1/16	306	11	279	5 3/4	146	6	152	30 5/8	778	8 15/16	227	590	268
8 x 5 x 14	21	533	12 1/16	306	11	279	5 3/4	146	6	152	30 5/8	778	10 1/2	267	675	306
8 x 6 x 11	23 9/16	598	13 1/4	337	14	356	6 1/4	159	8 3/8	213	31 1/4	794	11 13/16	300	750	340
8 x 6 x 14	23 9/16	598	13 1/4	337	14	356	6 1/4	159	8 3/8	213	31 1/4	794	11 13/16	300	750	340



MOTOR FRAMES	C-MAX		HA	HB	HG	HL	SP	ASSEMBLY WEIGHT (Less Pump)								
	In.	mm.						In.	mm.	In.	mm.	lbs.	kg.	lbs.	kg.	
									1750 RPM		1150 RPM					
182T	15 1/4	387	24	610	42	1067	15	381	2 1/4	57	1/4	6	267	121	271	123
184T	16 1/4	413	24	610	43	1092	15	381	2 1/4	57	1/4	6	283	129	283	120
213T	18 1/4	464	24	610	45	1143	15	381	2 1/4	57	1/4	6	356	162	339	154
215T	19 3/4	502	24	610	47	1194	15	381	2 1/4	57	1/4	6	387	180	385	175
254T	23	584	24	610	51	1295	15	381	2 1/4	57	1/4	6	486	225	477	217
256T	24 1/2	622	24	610	53	1346	15	381	2 1/4	57	1/4	6	542	246	507	230
284T	26 1/4	667	24	610	54	1372	15	381	2 1/4	57	1/4	6	716	325	677	306
286T	27 3/4	705	24	610	55	1397	15	381	2 1/4	57	1/4	6	748	340	758	345
324T	28 3/4	730	24	610	56	1422	15	381	2 1/4	57	1/4	6	972	442	854	434
326T	30 1/4	768	24	610	58	1473	15	381	2 1/4	57	3/8	10	1014	461	864	438
364T	31 1/2	800	24	610	60	1524	15	381	2 1/4	57	3/8	10	1337	608	1178	535
366T	32 1/2	826	24	610	60	1524	15	381	2 1/4	57	1/4	6	1331	605	1283	583
405T	37	940	24	610	64	1626	18	408	2 1/4	57	1/4	6	1513	688	1483	679

The Double Life Corporation

-Double Life 250 Series Pumps-





The Double Life Corporation

-Double Life 250 Series Pumps-

Double Life Corporation

MODEL 250 SERIES PUMP PARTS

Housing	1	1	Housing	Depending on size	
	1A	2	Gasket, Housing	720700	
	1B	12	Stud, Housing	B16092121000048	
	1C	12	Nut, Housing	N19052121000000	
	1D	1	Plug, Drain (optional)	721650	
	1E	1	Plug, Neck (3 x 2 x 13 & 4 x 3 x 13 Only)	721650	
	2	1	Impeller	Depending on size	
	2A	1	Bolt, Impeller	B03F52121000028	
	2B	1	Flatwasher, Impeller	W01052241312000	
	3	1	Bolt, Stuffing Box	B03F52081300020	
	3A	1	Lockwasher, Stuffing Box	L03052000008000	
	Mechanical Seal Arrangement	M3	1	Stuffing Box - Mechanical Seal	721350
M3-A		1	Mechanical Seal Assembly	721540	
M3-A-1			Stationary Seat	Information Only	
M3-A-2			O-Ring, Stationary Seat		
M3-A-3			Rotating Seal Ring		
M3-A-4			Cage Assembly		
M3-A-5			Spring		
M3-A-6			Spring Retainer		
M3-A-7			Spring Pin		
M3-B	1 Set	Back-Up Packing	720441		
Packed Arrangement	P3	1	Stuffing Box - Packed	721340	
	P3A	1	Packing - King	720470	
			Packing - Graphite	720440	
			Packing - Teflon	720500	
P3B	1	Grease Fiting - Packing	0399D		
Shaft Sleeve Assy.	4	1	Shaft Sleeve, 416SSC	721580	
	4A	1	Seal, Shaft Sleeve	721490	
	4B	1	Seal, Impeller	721480	
	5	1	Packing Gland	720590	
	6	2	Gland Bolt Assembly	720600	
	7	1	Deflector	721040	
	7A	1	O-Ring, Deflector	721500	
	8	1	Pedestal	720175	
	8A	2	Plug, Pedestal	721651	
	Inboard Bearing Cover Assembly	9	1	Cover, Inboard Bearing	720780
		9A	1	Seal, Inboard Bearing Exclusion	720370
		9B	1	Seal, Inboard Bearing Cover	720380
		9C	1	Gasket, Inboard Bearing Cover	720670
9D		2	Bolt, Inboard Bearing Cover	B03F52061600044	
9E		6	Flatwasher, Inboard Bearing Cover	W01052140605000	
9F		2	Nut, Inboard Bearing Cover	N19052061600000	
9G		1	Grease Fitting, Inboard Bearing	720781	
9H	1	Grease Fitting, Seal	720782		
	10	1	Bearing, Inboard	720300	
	11	1	Shaft	721227	
	11A	1	Key, Shaft	721270	
	Outboard Bearing Housing Assembly	12	1	Housing, Outboard Bearing	720800
		12A	1	Seal, Outboard Bearing Housing	721510
		12B	2	Bolt, Adjustment, Outboard Brng. Hsg.	B03F52081300024
		12C	2	Jam Nut	N12052081300000
12D	2	Bolt, Attachment, Outboard Brng. Hsg.	B03F52081300020		
13	2	Bearing, Outboard	720320		
Outboard Bearing Cover Assembly	14	1	Nut, Bearing	721560	
	14A	1	Lockwasher, Bearing Nut	721550	
	15	1	Cover, Outboard Bearing	720790	
	15A	1	Seal, Shaft, Outboard Bearing Cover	720390	
	15B	1	Seal, Outboard Bearing Cover	721520	
	15C	1	Grease Fitting, Outboard Bearing	721671	
	15D	2	Bolt, Attachment, Outboard Brng. Cover	B03F52061600020	