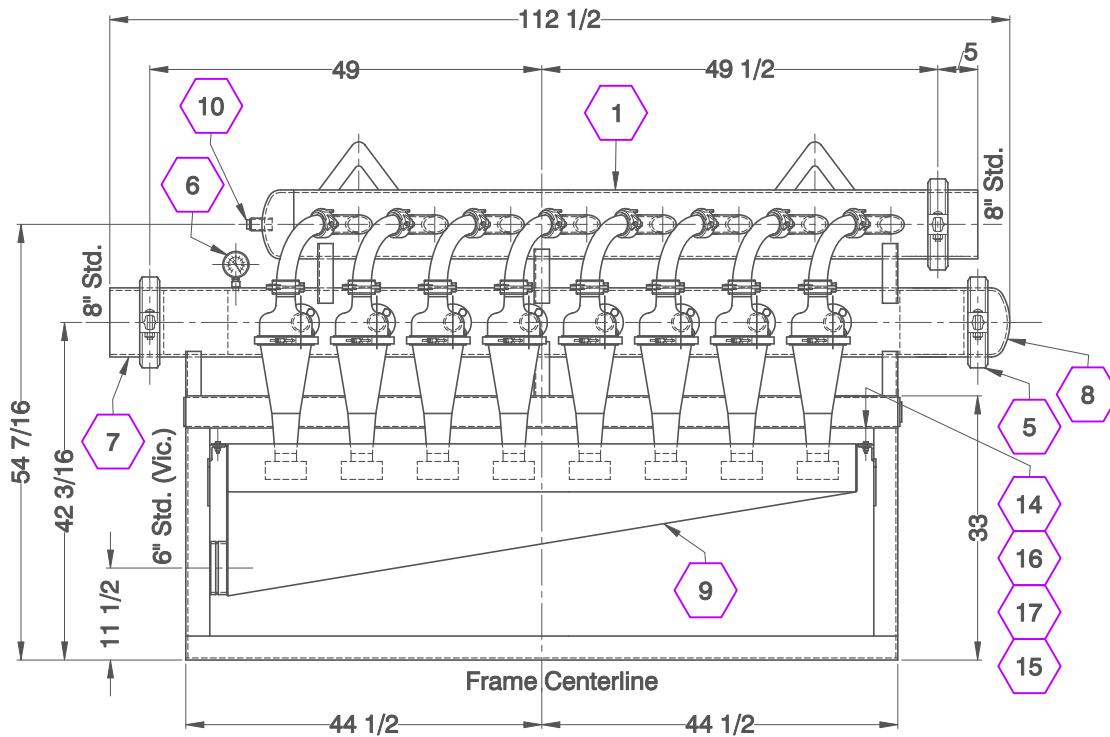


PARTS LISTING

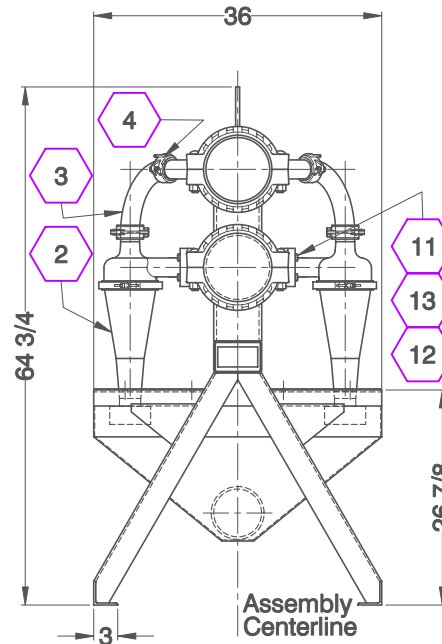
MARK	PART NO.	QUAN.	DESCRIPTION	GROUP WEIGHT	ASSY. WEIGHT	MARK	PART NO.	QUAN.	DESCRIPTION	GROUP WEIGHT	ASSY. WEIGHT
1	65160M	1	V-516 Desilter Manifold		1039.94	10	68031	1	Plug, 1"		0.25
2	DLS500	16	5" Slimline Cone Assy.		224.00	11	B03F52081300032	64	Capscrew, 1/2" x 2"		9.60
3	DBL100	16	2" 90° Cone Elbow		20.00	12	N19052813000032	64	Hex Nut, 1/2"		4.80
4	68002	32	2" Style 78 Vic Coupling		48.00	13	L03052000008000	64	Lockwasher, 1/2"		2.40
5	68017	3	8" Style 75 Vic. Coupling		37.50	14	B03F52061600020	4	Capscrew, 3/8" x 1-1/4"		0.24
6	DBLFG100	1	Gauge, 1/4" Bot. x 2-1/2"		0.40	15	N19052060706000	4	Hex Nut, 3/8"		0.12
7	68053	2	Grooved Nipple, 8" Nom.		12.18	16	W01052160706000	8	Flatwasher, 3/8"		0.12
8	68034-M	1	Grooved Cap, 8" Nom.		12.00	17	L03052000006000	4	Lockwasher, 3/8"		0.07
9*	F573	1	Underflow Pan	197.20		TOTAL WEIGHT (Lbs.): 1411.82					

* Part of Item 1. Shown as replacement item.

CAPACITY:
 1,600 gpm @ 70 Feet of Head
 6,056 lpm @ 21.34 Meters of Head



SIDE VIEW ELEVATION



END VIEW ELEVATION

REVISIONS

NO.	ZONE	DESCRIPTION	DATE
1	All	+ Parts Listing	12/23/98
2		+ Capacity	01/25/99

NOTES

1. All dimensions are in inches unless otherwise noted.

NOTICE
 The information contained herein is proprietary and may not be copied or transmitted to another party without the written consent of the owner, THE DOUBLE LIFE CORP., INC.

DC the double life corp., inc.

TITLE
INSTALLATION DRAWING & PARTS LISTING

MODEL NO. V-516 DESILTER

PART NO.	DRAWN BY	DATE	SCALE
65160	JDH	1/24/98	NTS
SHEET NO.	DRAWING NO.	REV. NO.	SIZE
1/1	99-00575	2	A

REVISED BY
 SB

SEQ.
 1