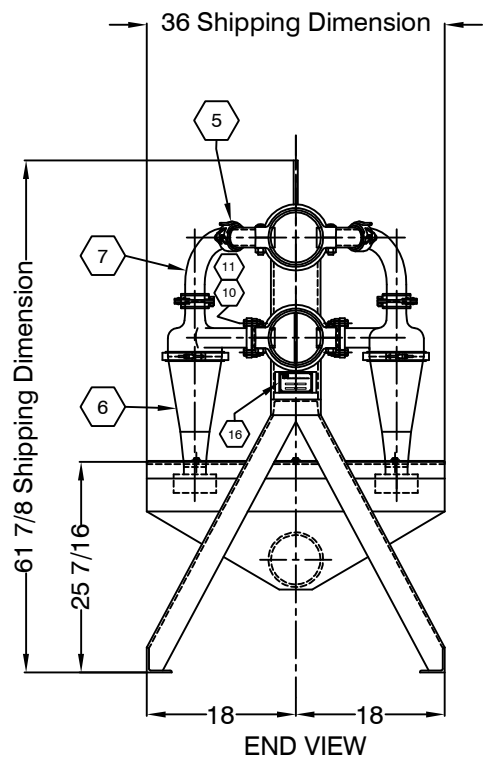
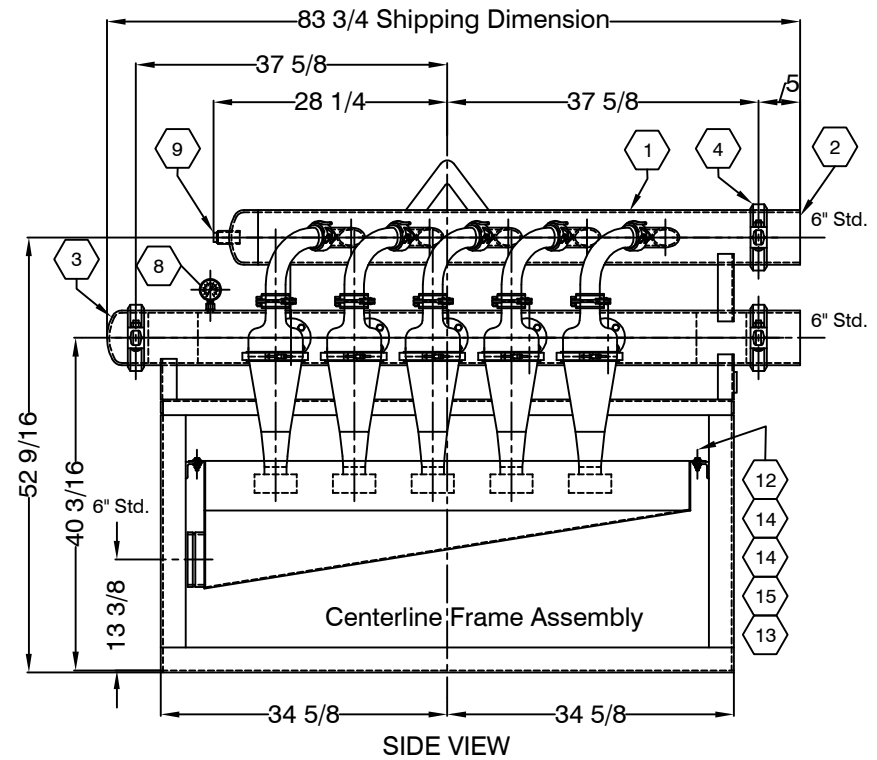


PARTS LIST

MARK	PART NO.	QUAN.	DESCRIPTION	WEIGHT	MARK	PART NO.	QUAN.	DESCRIPTION	WEIGHT
1	65130-M	1	Desilter Manifold	645.14	9	68031	1	Plug, Clean-Out Port	0.25
2	68052	2	Adapter Nipple	15.81	10	B03F52081300032	40	Capscrew, 1/2"	5.74
3	680020-M	1	End Cap, Grooved	7.00	11	N19052081300000	40	Hex Nut, 1/2"	1.50
4	68012	3	6" Coupling	20.10	12	B03F52061600020	6	Capscrew, 3/8"	0.29
5	68002	20	2" Coupling	30.00	13	N19052061600000	6	Hex Nut, 3/8"	0.10
6	DLS500	10	5" Slimline Cone Assembly	140.50	14	W01052160706000	12	Flatwasher, 3/8"	0.18
7	DBL100	10	2", 90° Disch. Elbow	12.50	15	L03052000006000	6	Lockwasher, 3/8"	0.04
8	DBLFG100	1	Gauge, 0-60	0.50	16	0062	1	Nameplate	0.10
								TOTAL WEIGHT	879.75

CAPACITY & FLOW REQUIREMENTS

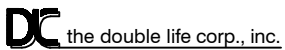
1000 gpm @ 70 Feet of Head



NO.	ZONE	DESCRIPTION	BY	DATE

NOTES
 1. All dimensions are in inches unless otherwise noted.
 2. Ref. Dwg. No 31-00685 for Assembly.

NOTICE
 The information contained herein is proprietary and may not be copied or transmitted to another party without the written consent of the owner, THE DOUBLE LIFE CORP., INC.



CUSTOMER DRAWING
INSTALLATION & PARTS LISTING

M/N V-510 DESILTER REVIEWED BY **SB**

PART NO. 65130	DRAWN BY JDH	DATE 8/15/00	SCALE NTS
SHEET NO. 1/1	DRAWING NO. 99-00693	REV. NO. 0	SIZE A SEQ. 1