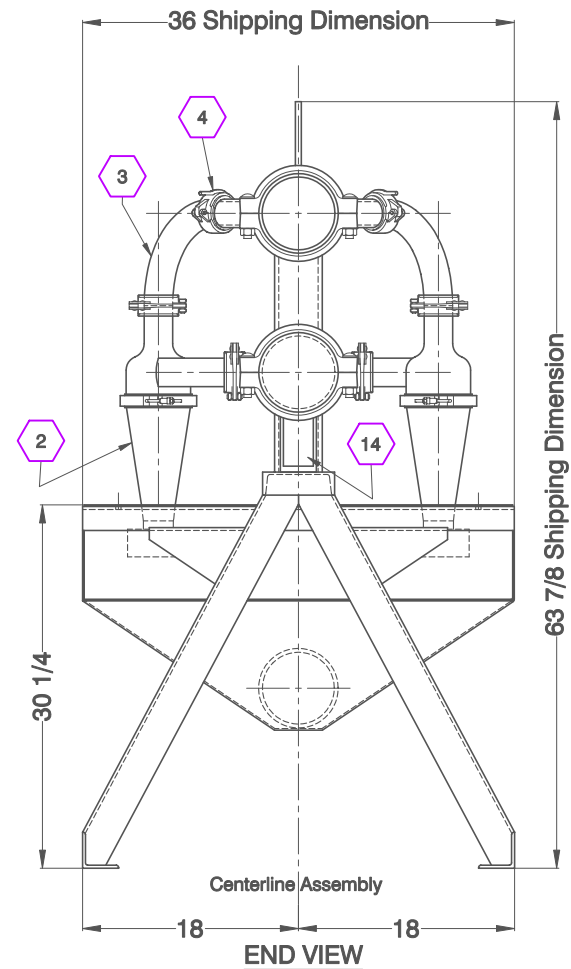
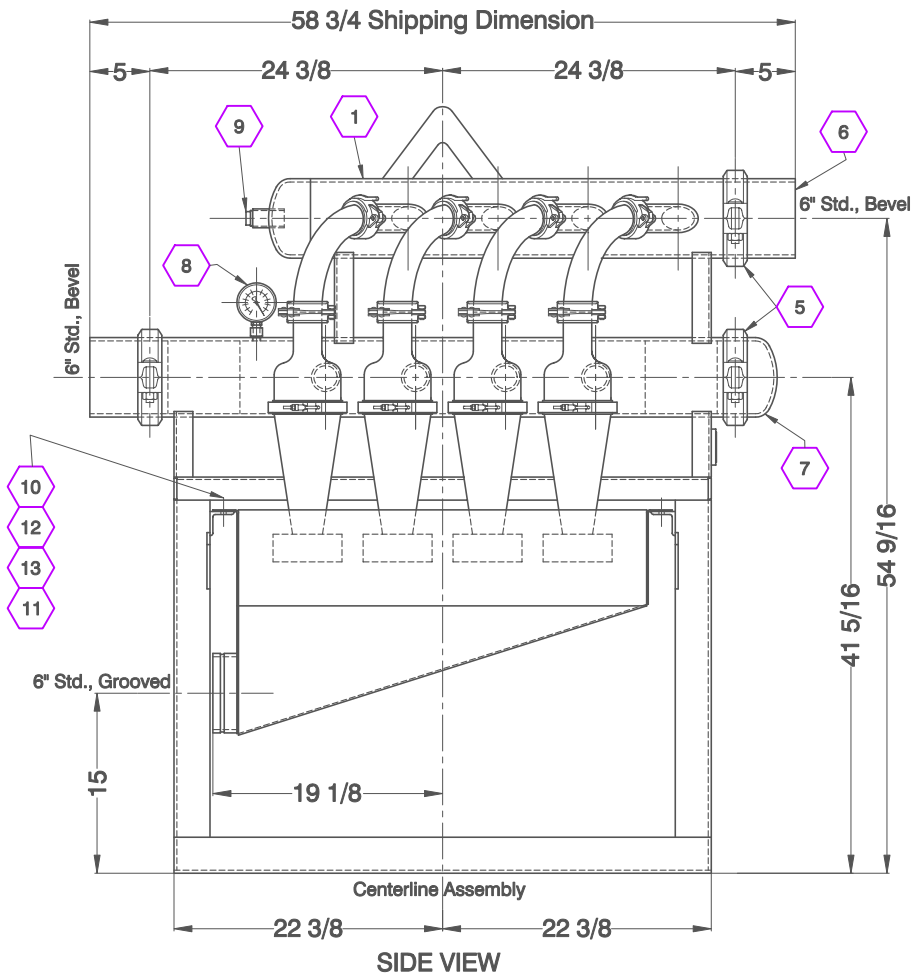


CAPACITY: 496 GPM @ 75 to 90 Head Feet  
SEPARATION RANGE: 10 to 15 microns

**PARTS LISTING**

MARK	PART NO.	QUAN.	DESCRIPTION	WEIGHT	MARK	PART NO.	QUAN.	DESCRIPTION	WEIGHT
1	65000-M	1	V-480 Manifold	481.88	8	DBLFG100	1	Gauge	0.50
2	DL4100	8	4" Cone Assembly	72.00	9	68031	1	Plug	0.19
3	DBL100	8	2" Discharge Elbow	8.34	10	B03F52061600016	6	Capscrew	0.28
4	68002	24	2" Coupling	36.00	11	N19052061600000	6	Hex Nut	0.22
5	68012	3	6" Coupling	27.00	12	W0105216076000	12	Flatwasher	0.16
6	68052	2	6" Adapter Nipple	15.81	13	L03052000006000	6	Lockwasher	0.09
7	68020-M	1	6" Grooved Cap	7.00	14	0062	1	Nameplate	0.10
<b>TOTAL WEIGHT (Lbs.):</b>									<b>649.52</b>



REVISIONS	DATE
BY	
DESCRIPTION	
ZONE	
NO.	

**NOTES**  
1. All dimensions are in inches unless otherwise noted.

**DC** the double life corp., inc.  
TITLE  
**INSTALLATION DRAWING & PARTS LISTING**  
**MODEL NO. V-480 DESILTER**

PART NO.	DRAWN BY	DATE	SCALE	REVIEWED BY
65000	JDH	5/4/01	NTS	SB
SHEET NO.	DRAWING NO.	REV. NO.	SIZE	SEC.
1/1	99-00430	0	A	1