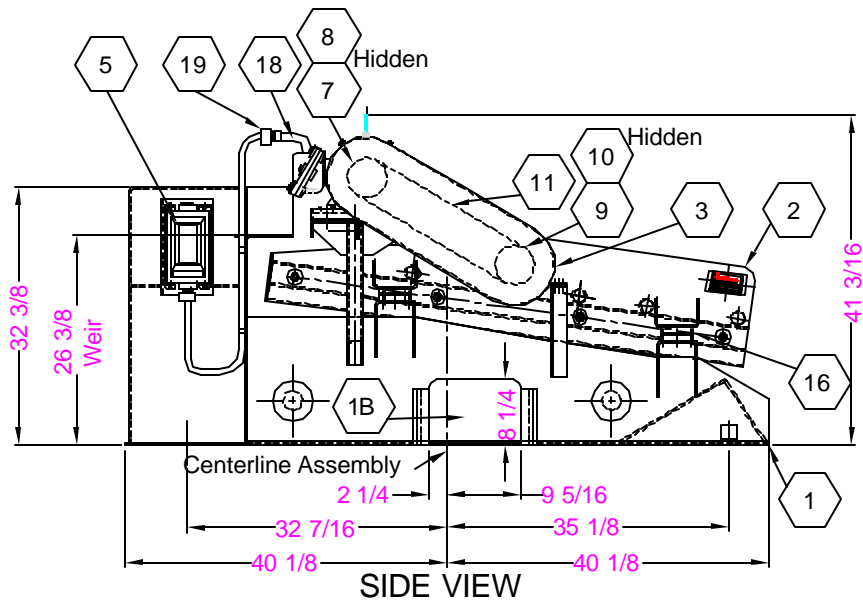


PLAN VIEW



SIDE VIEW

BILL OF MATERIALS						
MARK	PART NO.	QUAN.	DESCRIPTION	LENGTH	WIDTH	WEIGHT
1	560100	1	Skid Assembly (New Design)			1239.09
1A	560105	1	By Pass Gate Assembly			12.07
1B	F1800/1	1	Side Gate			10.29
2	560107	1	Basket Assembly			375.39
3	560102	1	Belt Guard Assembly			21.99
4	510004	1	Drive Motor			100.00
5	500010	1	Starter			10.75
6	700006	2	Screen Cushion			5.00
7	560111	1	Drive Sheave			4.50
8	500024	1	Drive Sheave Bushing			0.25
9	560110	1	Driven Sheave			7.00
10	500024	1	Driven Sheave Bushing			0.25
11	560103	2	Drive Belt			1.00
12	560108	2	Bearing			22.10
13	560101	1	Drive Shaft			75.00
14	530008	4	Tension Bolt Assembly			9.00
15	3M279	1	Motor Base			8.75
16	00005A	4	Shock Mount			1.25
17	540120	1	Floating Tension Rail			32.11
18	560116	1	Elbow			0.05
19	560113	2	Cable Gland			0.50
TOTAL WEIGHT						1936.34

Basket Mounted @ 8° downhill

REVISIONS	DATE	BY	DESCRIPTION	INCL.	ZONE
NOTES	1. All dimensions are in inches unless otherwise noted.				

**NOTICE**  
The information contained herein is proprietary and may not be copied or transmitted to another party without the written consent of the owner, THE DOUBLE LIFE CORP., INC.



<b>INSTALLATION DRAWING &amp; PARTS LISTING</b>			
<b>4 x 8 SINGLE STANDARD SHAKER</b>			
(NEW DESIGN)			
			SB
560000-NS	MW	12-2-02	NTS
1/1	99-01815	0	A 1