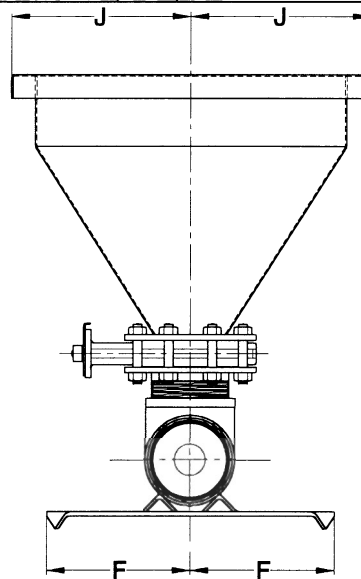
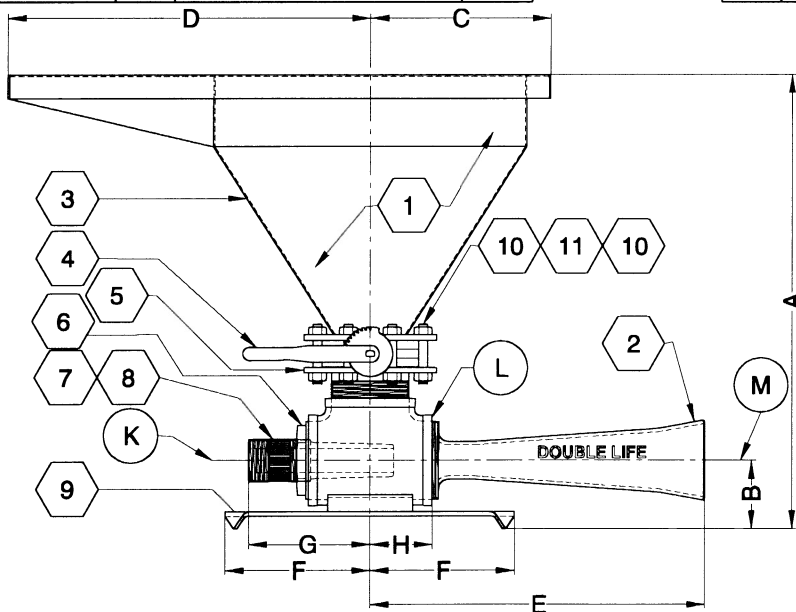


6" HOPPER OPERATING DATA		
Choke Nipple Bore:	2" [51 mm]	
Pressure:	40 - 65 psi [2.812-4.569 Kg/cm <sup>2</sup> ]	
	MUD	BULK SOLIDS
Volume:	725-965 gpm [2744-3653 lpm]	600 lb./min. [273 Kg./min.]
Volume with Venturi:		700 lb./min. [318 Kg./min.]

6" MUD HOPPER				
MARK	PART NO.	QUAN.	DESCRIPTION	WEIGHT
1	0355	1	6" Mud Hopper (without Venturi)	300.00
2	0141	1	6" Venturi	51.00
3	0128	1	6" (Top Part) Cone with Table	119.00
4	BG0600411125	1	6" Butterfly Valve	22.75
5	12089	1	6" Flange Assembly	18.36
6	8080-48241	1	Bushing for 6" Hopper	7.75
7	312-200L	1	Jet Nipple with 2" Bore (Standard Item with Hopper Order)	14.75
8	312-150	1	Jet Nipple with 1-1/2" Bore (Must be specified with Hopper Order)	17.33
9	0364	1	Tee with Stand for 6" Hopper	93.12
10	N19052121000000	16	Hex Nut, 3/4"	1.90
11	B16092121000080	8	Stud Bolt, 3/4"	5.00

4" HOPPER OPERATING DATA		
Choke Nipple Bore:	3/4" [19 mm]	
Pressure:	40 - 60 psi [2.812-4.218 Kg/cm <sup>2</sup> ]	
	MUD	BULK SOLIDS
Volume:	110-140 gpm [426-530 lpm]	100 lb./min. [46 Kg./min.]
Volume with Venturi:		117 lb./min. [53 Kg./min.]

4" MUD HOPPER				
MARK	PART NO.	QUAN.	DESCRIPTION	WEIGHT
1	0354	1	4" Mud Hopper (without Venturi)	175.00
2	0140	1	4" Venturi	40.25
3	0100	1	4" (Top Part) Cone with Table	84.66
4	BG0400411125	1	4" Butterfly Valve	14.75
5	0165	1	4" Flange Assembly	7.40
6	808-32161	1	Bushing for 4" Hopper	3.11
7	210-175	1	Jet Nipple with 3/4" Bore (Standard Item with Hopper Order)	8.00
8	Not Used			
9	0363	1	Tee with Stand for 4" Hopper	52.08
10	N19052101100000	16	Hex Nut, 5/8"	1.17
11	B16092101100080	8	Stud Bolt, 5/8"	3.48



SIZE	DIMENSIONS																PORT DESIGNATIONS				
	A		B		C		D		E		F		G		H		J		K	L	M
	Inches	mm	Inches	mm	Inches	mm	Inches	mm	Inches	mm	Inches	mm	Inches	mm	Inches	mm	Inches	mm			
4" Hopper	37	940	4 3/4	121	12	305	24	610	26 5/8	667	9	229	8 5/8	219	3 13/16	97	12	305	2" NPTM	4" NPTF	6" Pipe
6" Hopper	37 3/4	959	5 3/4	146	15	381	30	762	27 13/16	706	12	305	10 1/16	256	5 1/8	130	15	381	3" NPTM	6" NPTF	6" Pipe

NO.	ZONE	DESCRIPTION	REVISIONS		
			BY	DATE	
1		X-ed 6" Mud Vol. frm 1100-1400gpm	DH	7/19/01	
1		X-ed 6" Press. frm 40-60 psi	DH	7/19/01	
1		Rem. 4" Mud Vol. w/ Venturi	DH	7/19/01	

**NOTES**  
1. All dimensions are in inches unless otherwise noted.

**NOTICE**  
The information contained herein is proprietary and may not be copied or transmitted to another party without the written consent of the owner, THE DOUBLE LIFE CORP., INC.

**DL** the double life corp., inc.

**TITLE**  
CUSTOMER DRAWING  
MODEL 0355, 6" MUD HOPPER  
MODEL 0354, 4" MUD HOPPER  
DIMENSIONS & PARTS LISTING

PART NO. See Above	DRAWN BY DATE JDH 1/21/00	SCALE NTS
SHEET NO. 1/1	DRAWING NO. 99-00606	REV. NO. SIZE SHG. 1 A 1