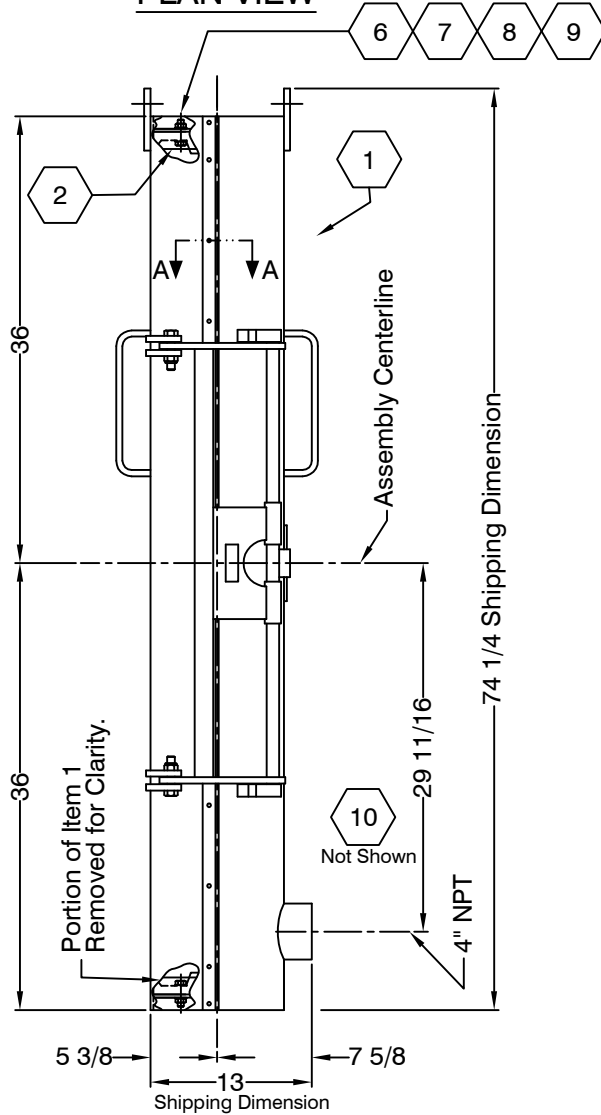
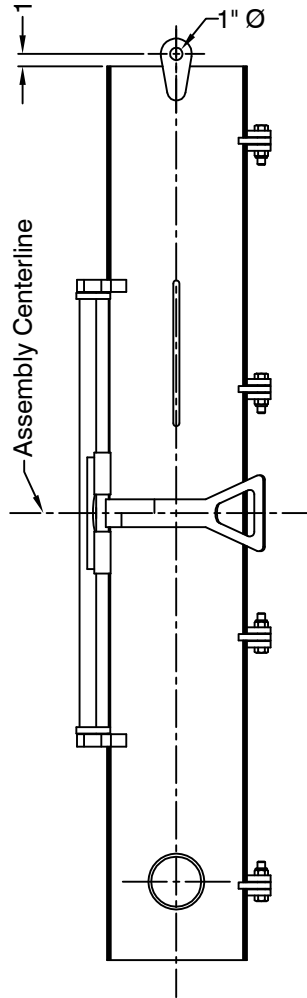


PLAN VIEW

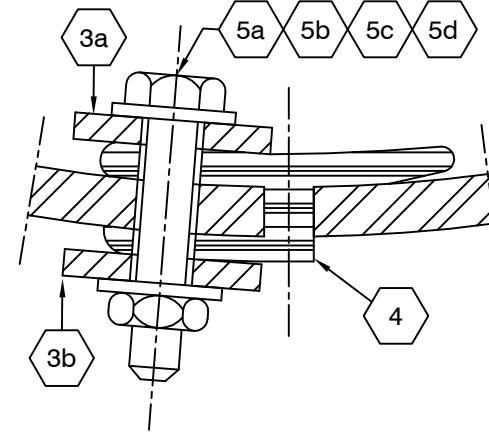


SIDE VIEW @ 270°



SIDE VIEW @ 0°

PARTS LISTING				
MARK	PART NO.	QUAN.	DESCRIPTION	WEIGHT
1	33609	1	Body	240.72
2	33601-2 3/8	1	End Seal (Set) 2 3/8"	10.50
	33601-2 7/8	1	End Seal (Set) 2 7/8"	
	33601-3 1/2	1	End Seal (Set) 3 1/2"	
	33601-4	1	End Seal (Set) 4"	
	33601-4 1/2	1	End Seal (Set) 4 1/2"	
	33601-5	1	End Seal (Set) 5"	
3	33606	1	Metal Seal (Set) MG606 (Consists of Items 3a and 3b)	10.44
		2	Metal Seal (Inside)	
3b		2	Metal Seal (Outside)	
4	33602	1	Side Seal (Set) MG602	2.25
5	33607	1	Side Seal Fastener (Set) (Consists of Items 5a through 5d.)	1.38
		26	Bolt (Side Seal)	
		26	Flatwasher (Side Seal)	
		26	Lockwasher (Side Seal)	
		26	Nut (Side Seal)	
6	33608 (Set)	24	Nut (End Seal)	1.00
7		24	Lockwasher (End Seal)	0.75
8		24	Flatwasher (End Seal)	0.88
9		24	Bolt (End Seal)	3.00
10	00000	1	Thread Protector (4" Nom.)	0.10
TOTAL WEIGHT				271.02



SECTION A-A

Scale: Full

NO.	ZONE	DESCRIPTION	REVISIONS	
			BY	DATE

NOTES

1. All dimensions are in inches unless otherwise noted.

NOTICE

The information contained herein is proprietary and may not be copied or transmitted to another party without the written consent of the owner, THE DOUBLE LIFE CORP., INC.

**DC** the double life corp., inc.

TITLE

**CUSTOMER DRAWING**  
**INSTALLATION DRAWING & PARTS LISTING**  
**STANDARD MUD BUCKET**

REVIEWED BY  
SB

PART NO. 33600	DRAWN BY JDH	DATE 12/3/01	SCALE NTS
SHEET NO. 1/1	DRAWING NO. 99-00114	REV. NO. 0	SIZE A
			SEQ. 1