

Dimensions below are standard 125 lb.
Cast Iron or Series 150 Steel Flat Face.

FLANGE DIMENSIONS											
SIZE	ID		OD		BC		THICKNESS		NO. OF HOLES	SIZE	
	In.	mm.	In.	mm.	In.	mm.	In.	mm.		In.	mm.
2	2	51	6	152	4 3/4	121	1/16	16	4	3/4	19
3	3	76	7 1/2	191	6	152	3/4	19	4	3/4	19
4	4	102	9	229	7 1/2	191	15/16	24	8	3/4	19
5	5	127	10	254	8 1/2	216	15/16	24	8	7/8	22
6	6	152	11	279	9 1/2	241	1	25	8	7/8	22
8	8	203	13 1/2	343	11 3/4	298	1 1/8	29	8	7/8	22

PUMP SIZE	G		L		X		Y		Z		CP		DD		WEIGHT	
	In.	mm.	In.	mm.	In.	mm.	In.	mm.	In.	mm.	In.	mm.	In.	mm.	lbs.	kgs.
3 x 2 x 13	17 7/8	454	8 3/4	222	10 1/4	260	3 3/4	95	7	178	29 1/4	743	8 15/16	227	490	222
4 x 3 x 13	17 7/8	454	9 3/8	238	10 1/4	260	4 1/4	108	6 3/4	171	29 3/8	746	8 15/16	227	515	234
5 x 4 x 14	19	483	10 3/4	273	11	279	5	127	6 1/8	156	30	762	9 1/2	241	540	245
6 x 5 x 11	17 7/8	454	12 1/16	306	11	279	5 3/4	146	6	152	30 5/8	778	8 15/16	227	590	268
6 x 5 x 14	21	533	12 1/16	306	11	279	5 3/4	146	6	152	30 5/8	778	10 1/2	267	675	306
8 x 6 x 14	23 9/16	598	13 1/4	337	14	356	6 1/4	159	8 3/8	213	31 1/4	794	11 13/16	300	750	340

REVISIONS

NO.	ZONE	DESCRIPTION	DATE
1	ALL	WEIGHT CHANGE	6-24-04

NOTES

1. All dimensions are in inches unless otherwise noted.

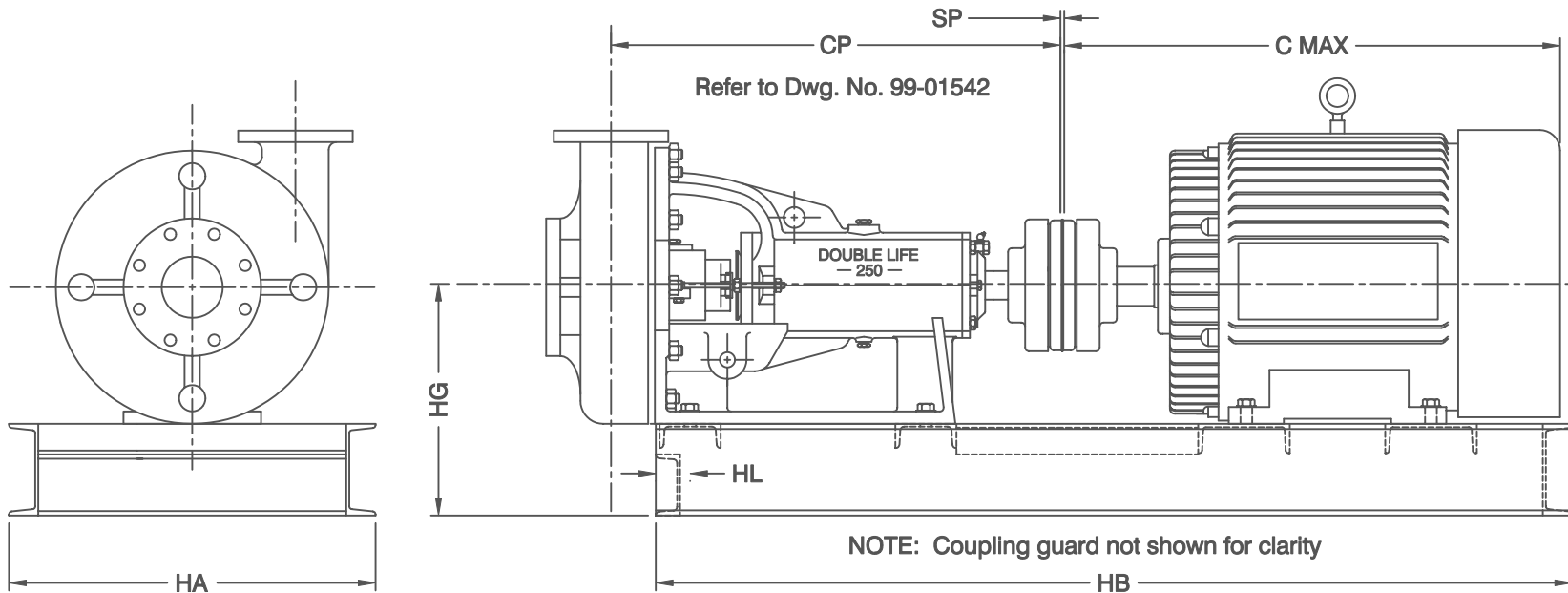
NOTICE

The information contained herein is proprietary and may not be copied or transmitted to another party without the written consent of the owner, THE DOUBLE LIFE CORP., INC.

DC the double life corp., inc.

TITLE
CUSTOMER DRAWING
250 SERIES CENTRIFUGAL PUMP

PART NO.	DRAWN BY	DATE	SCALE	
None	MW	2/10/00	NTS	
SHEET NO.	DRAWING NO.	REV. NO.	SIZE	SEQ.
1/1	99-01542	1	A	1



MOTOR FRAMES	C-MAX		HA		HB		HG		HL		SP		ASSEMBLY WEIGHT (Less Pump)			
													1750 RPM		1150 RPM	
	In.	mm.	In.	mm.	In.	mm.	In.	mm.	In.	mm.	In.	mm.	lbs.	kg.	lbs.	kg.
182T	15 1/4	387	24	610	42	1067	15	381	2 1/4	57	1/4	6	267	121	271	123
184T	16 1/4	413	24	610	43	1092	15	381	2 1/4	57	1/4	6	283	129	263	120
213T	18 1/4	464	24	610	45	1143	15	381	2 1/4	57	1/4	6	356	162	339	154
215T	19 3/4	502	24	610	47	1194	15	381	2 1/4	57	1/4	6	397	180	385	175
254T	23	584	24	610	51	1295	15	381	2 1/4	57	1/4	6	495	225	477	217
256T	24 1/2	622	24	610	53	1346	15	381	2 1/4	57	1/4	6	542	246	507	230
284T	26 1/4	667	24	610	54	1372	15	381	2 1/4	57	1/4	6	716	325	677	308
286T	27 3/4	705	24	610	55	1397	15	381	2 1/4	57	1/4	6	748	340	758	345
324T	28 3/4	730	24	610	56	1422	15	381	2 1/4	57	1/4	6	972	442	954	434
326T	30 1/4	768	24	610	58	1473	15	381	2 1/4	57	3/8	10	1014	461	964	438
364T	31 1/2	800	24	610	60	1524	15	381	2 1/4	57	3/8	10	1337	608	1176	535
365T	32 1/2	826	24	610	60	1524	15	381	2 1/4	57	1/4	6	1331	605	1283	583
405T	37	940	24	610	64	1626	16	406	2 1/4	57	1/4	6	1513	688	1493	679

NO.	ZONE	DESCRIPTION	REVISIONS	
			BY	DATE

NOTICE
 The information contained herein is proprietary and may not be copied or transmitted to another party without the written consent of the owner, THE DOUBLE LIFE CORP., INC.

DC the double life corp., inc.
 TITLE: **CUSTOMER DRAWING**
250 SERIES CENTRIFUGAL PUMP
UNITIZED SKID ASSEMBLIES

PART NO.	DRAWN BY	DATE	SCALE
None	MW	2/10/00	NTS
SHEET NO.	DRAWING NO.	REV. NO.	SIZE
1/1	99-01541	0	A
			SEQ.
			1