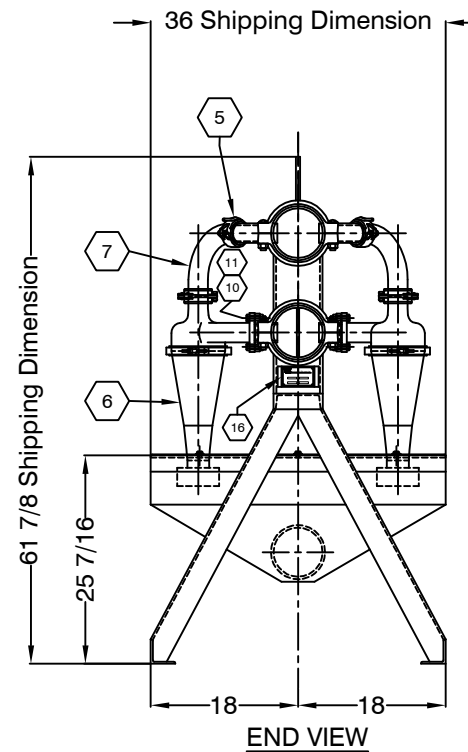
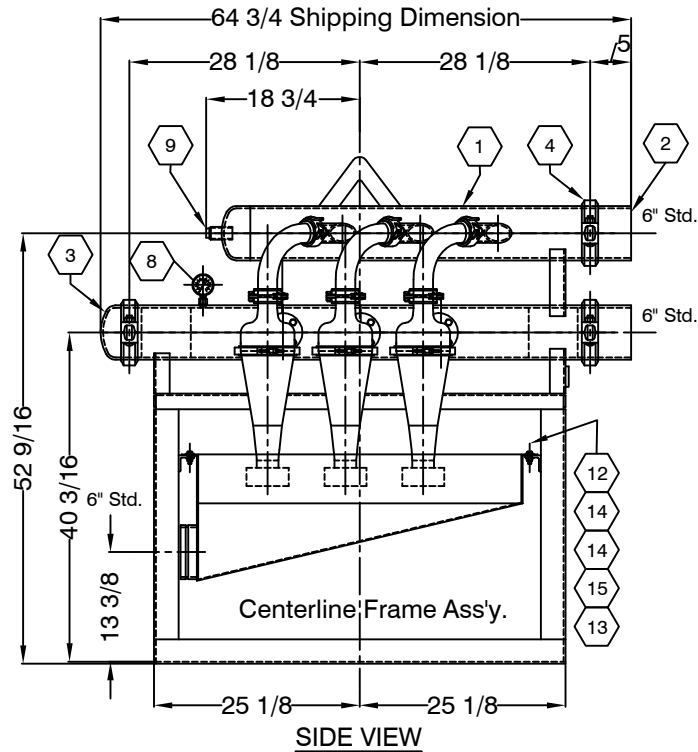



PARTS LIST									
MARK	PART NO.	QUAN.	DESCRIPTION	WEIGHT	MARK	PART NO.	QUAN.	DESCRIPTION	WEIGHT
1	65130-M	1	Desilter Manifold	496.17	9	68031	1	Plug, Clean-Out Port	0.25
2	68052	2	Adapter Nipple	15.81	10	B03F52081300032	24	Capscrew, 1/2"	3.44
3	680020-M	1	End Cap, Grooved	7.00	11	N19052081300000	24	Hex Nut, 1/2"	0.90
4	68012	3	6" Coupling	20.10	12	B03F52061600020	6	Capscrew, 3/8"	0.29
5	68002	12	2" Coupling	18.00	13	N19052061600000	6	Hex Nut, 3/8"	0.10
6	DLS500	6	5" Slimline Cone Assembly	84.30	14	W01052160706000	12	Flatwasher, 3/8"	0.18
7	DBL100	6	2", 90° Disch. Elbow	7.50	15	L03052000006000	6	Lockwasher, 3/8"	0.04
8	DBLFG100	1	Gauge, 0-60	0.50	16	0062	1	Nameplate	0.10
TOTAL WEIGHT									654.68

CAPACITY & FLOW REQUIREMENTS

600 gpm @ 70 Feet of Head



REVISIONS	NO.	DESCRIPTION	ZONE	DATE
NOTES	1. All dimensions are in inches unless otherwise noted.			
	2. Ref. Dwg. No 31-00804 for Assembly.			
NOTICE The information contained herein is proprietary and may not be copied or transmitted to another party without the written consent of the owner, THE DOUBLE LIFE CORP., INC.				
 the double life corp., inc.				
CUSTOMER DRAWING INSTALLATION & PARTS LISTING M/N V-506 DESILTER				
PART NO.	DRAWN BY	DATE	SCALE	
65125	JDH	7/19/01	NTS	
SHEET NO.	DRAWING NO.	REV. NO.	SIZE	SEQ.
1/1	99-00803	0	A	1