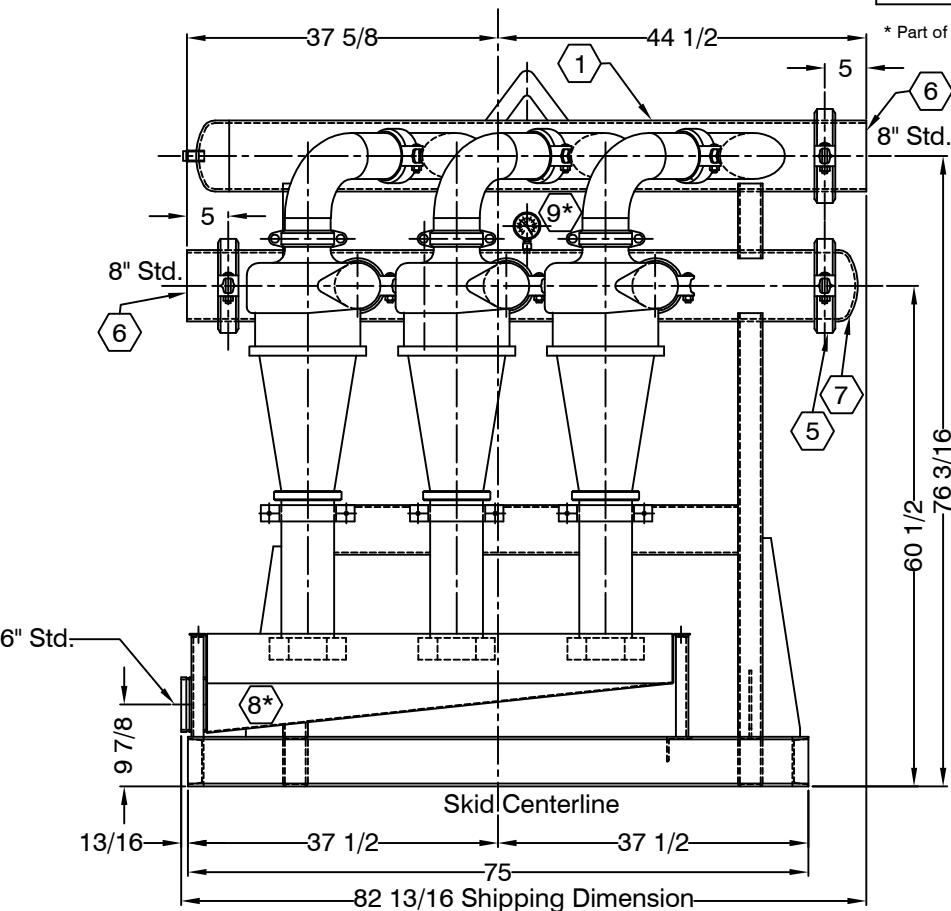
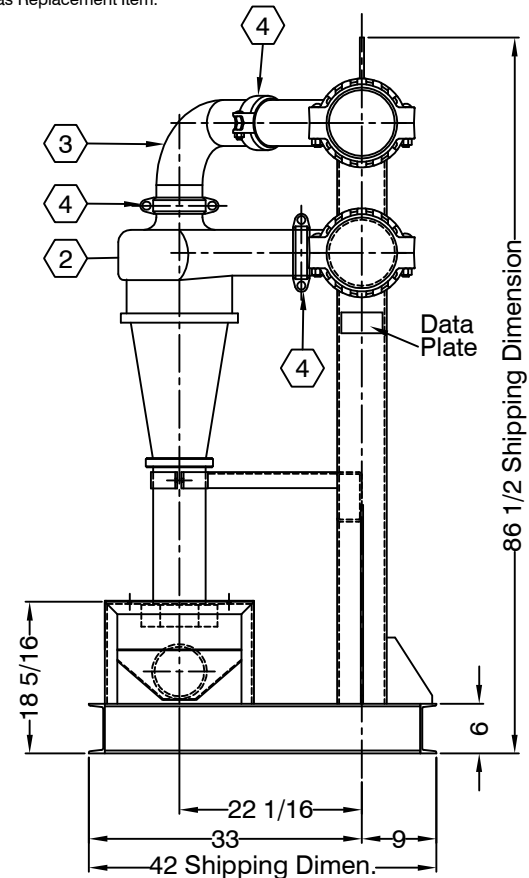


PARTS LIST					
MARK	PART NO.	QUAN.	DESCRIPTION	UNIT WGT.	TOTAL WGT.
1	69040-M	1	Desander, Manifold V-310		1050.48
2	DL1000	3	Double Life 10" Cone Assembly		294.00
3	DL10LRE	3	Double Life Discharge Elbow, 5"		85.95
4	68014	9	Coupling, Victaulic Style 75, 5"		49.50
5	68017	3	Coupling, Victaulic Style 75, 8"		12.50
6	68053	2	Pipe Nipple, 8" Std. (Grv. x Bev.) x 5" Long		11.90
7	68034-M	1	Cap, 8" Std. (Sp. Grv.)		12.00
8*	F245	1	Underflow Pan	101.10	
9	DBLFG100	1	Pressure Gauge, 0-60		0.50
TOTAL WEIGHT (Lbs.):					1518.39



SIDE ELEVATION

* Part of Item 1. Shown as Replacement Item.



END ELEVATION

REVISIONS	DATE	BY	DESCRIPTION	ZONE	NO.
	3/20/98	DH			1

NOTES
 1. All dimensions are in inches unless otherwise noted.
 2. Ref. Dwg. No. for Assembly.

NOTICE
 The information contained herein is proprietary and may not be copied or transmitted to another party without the written consent of the owner, THE DOUBLE LIFE CORP., INC.

DC the double life corp., inc.
INSTALLATION DRAWING & PARTS LISTING

MODEL NO. V-310 DESANDER				
PART NO.	DRAWN BY	DATE	SCALE	REVISIONS
69040	JDH	1/28/98	NTS	SB
SHEET NO.	DRAWING NO.	REV. NO.	SIZE	SEQ.
1/1	99-00245	1	A	1