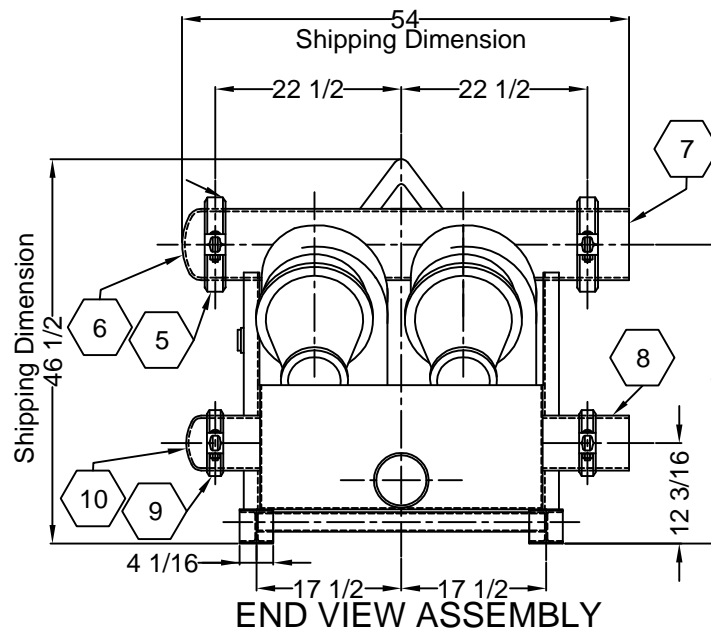
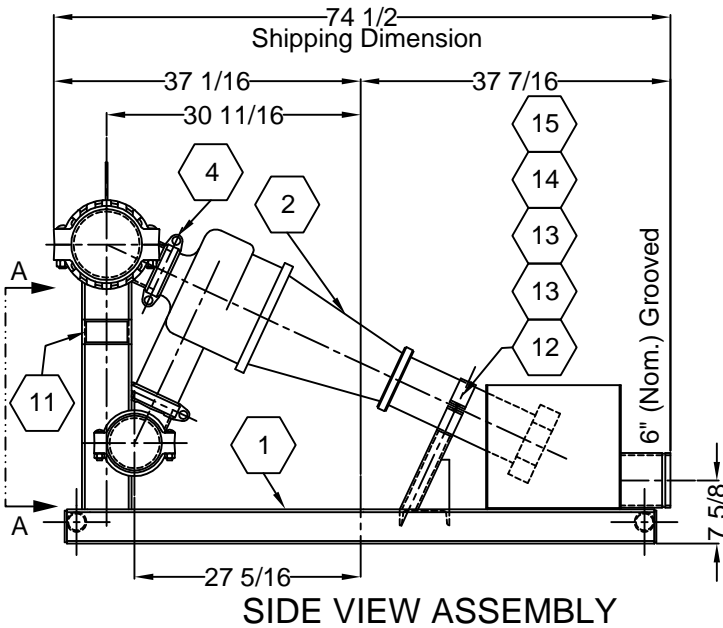
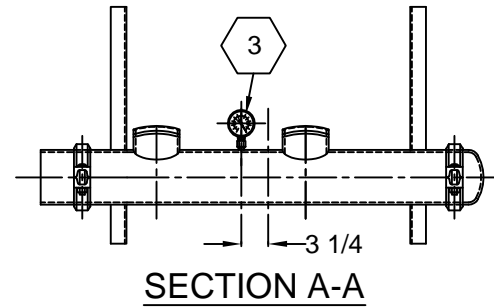
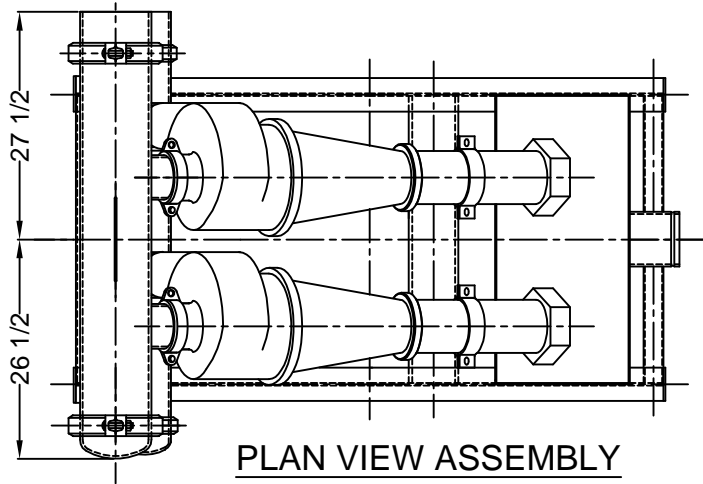


BILL OF MATERIALS

MARK	PART NO.	QUAN.	DESCRIPTION	LENGTH	WIDTH	WEIGHT
1	69001-M	1	I-210 Desander Manifold			559.23
2	DL1000	2	10" Cone Assembly			172.00
3	DBLFG100	1	Pressure Guage,0-60 psi			0.50
4	68014	4	Clamp 5"			22.00
5	68017	2	Clamp 8"			25.00
6	68021	1	Cap, 8" GRV.			12.00
7	68053	1	Nipple, Std., GRV x Bevel, 8"			11.90

MARK	PART NO.	QUAN.	DESCRIPTION	LENGTH	WIDTH	WEIGHT
8	68052	1	Nipple, Std., GRV x Bevel, 6"			7.90
9	68012	2	Clamp 6"			13.40
10	68017	2	Cap, 6", GRV			7.00
11	0062	1	Nameplate			0.10
12	B03F52081300032	4	Capscrew, 1/2" x 2"			0.60
13	W0105217098000	8	Flatwasher, 1/2"			0.08
14	L03F520000080000	4	Lockwasher, 1/2"			0.08
15	N19052081300000	4	Hex Nut, 1/2"			0.16
TOTAL WEIGHT						831.95

CAPACITY: 1,050 gpm @ 70 Feet of Head
3,974 lpm @ 21.34 Meters of Head



NO.	ZONE	DESCRIPTION	REVISIONS	
			BY	DATE
1	ALL	+ Parts listing	MW	1-11-99
3	All	Gen Revision	DH	01/25/99
4	All	General Revision	DH	8/2/00
5	ALL	GEN	MW	3-11-03

NOTES
1. All dimensions are in inches unless otherwise noted.

NOTICE
The information contained herein is proprietary and may not be copied or transmitted to another party without the written consent of the owner.
THE DOUBLE LIFE CORP., INC.

DC the double life corp., inc.

CUSTOMER DRAWING
INSTALLATION DRAWING & PARTS LISTING

MODEL NO. I-210 DESANDER

PART NO.	DRAWN BY DATE	SCALE
69001	MW 7/6/98	NTS
SHEET NO	DRAWING NO.	REV. NO.
1/1	99-00880	5
SIZE	SEQ.	
A	1	