

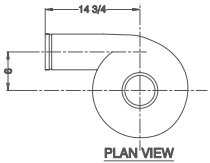


CONES

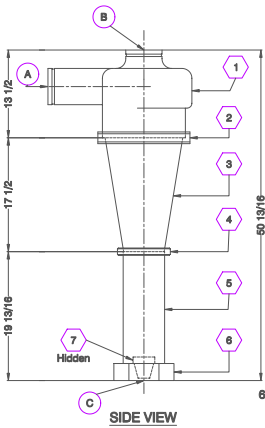


200 N. Rockwell Oklahoma City, OK 73127 (P) 405.789.7867 (Toll Free) 877.888.PUMP (F) 405.792.2202

DOUBLE LIFE 10" CONE



PLAN VIEW

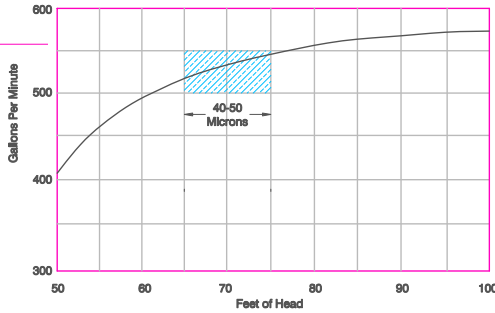


SIDE VIEW

BILL OF MATERIALS						
MARK	PART NO.	QUAN.	DESCRIPTION	LENGTH	WIDTH	WEIGHT
1	DL10F1	1	10" Feed Section			39.00
2	DL10C2	1	10" Upper Cone Clamp			3.50
3	DL10MC3	1	10" Mid-Cone Section			19.50
4	DL5SC2	1	Cone Clamp 5" Slimline			1.50
5	DL10LC5	1	10" Lower Cone Body			17.50
6	DL10AH7	1	10" Apex Holder			3.50
7	DL10A6	1	Apex Valve			1.00
TOTAL WEIGHT						85.00

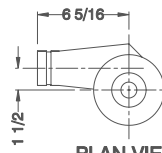
PORT SCHEDULE		
MARK	DESCRIPTION	Size
A	Inlet	5" Groove
B	Discharge	5" Groove
C	Underflow	Adjustable

OPTIMUM PARTICLE SEPARATION CHART

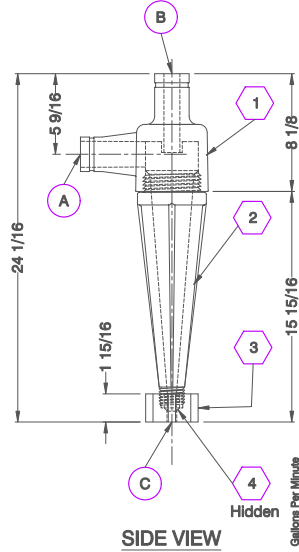


NOTE: Optimum separation is obtained when operating in shaded range.

DOUBLE LIFE 3" CONE



PLAN VIEW

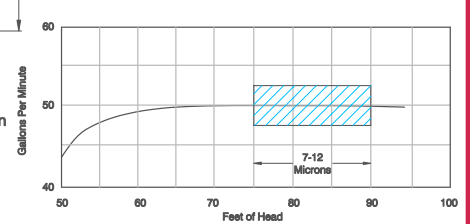


SIDE VIEW

BILL OF MATERIALS						
MARK	PART NO.	QUAN.	DESCRIPTION	LENGTH	WIDTH	WEIGHT
1	DL361	1	3" Inlet			3.75
2	DL3SC	1	3" Cone Body			3.50
3	DL3AH	1	3" Cone Apex Holder			0.45
4	DL3AV	1	3" Cone Apex			0.05
TOTAL WEIGHT						7.75

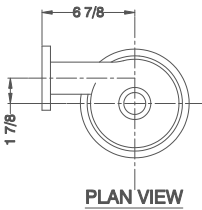
PORT SCHEDULE		
MARK	DESCRIPTION	Size
A	Inlet	2" Groove
B	Discharge	2" Groove
C	Underflow	

OPTIMUM PARTICLE SEPARATION CHART

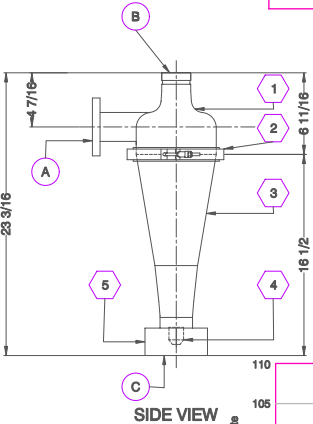


NOTE: Optimum separation is obtained when operating in shaded range.

DOUBLE LIFE 5" CONE



PLAN VIEW

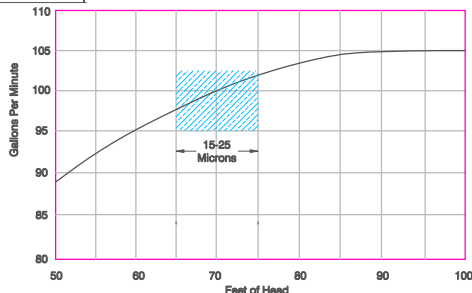


SIDE VIEW

BILL OF MATERIALS						
MARK	PART NO.	QUAN.	DESCRIPTION	LENGTH	WIDTH	WEIGHT
1	DS5SF1	1	5" Slimline Feed Section			6.00
2	DL5SCC2	1	5" Cone Clamp			1.50
3	DL5SC3	1	5" Slimline Cone Body			5.50
4	DL4585	1	5" Apex Valve			0.05
5	DL45AHR	1	5" Apex Holder			1.00
TOTAL WEIGHT						14.05

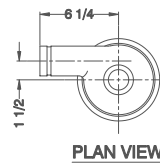
PORT SCHEDULE		
MARK	DESCRIPTION	Size
A	Inlet	2" Nominal Opening w/ 1-1/4" 125# Flange
B	Discharge	2" Groove
C	Underflow	Adjustable

OPTIMUM PARTICLE SEPARATION CHART

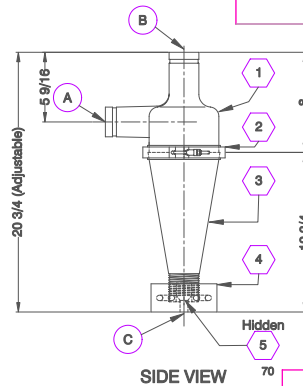


NOTE: Optimum separation is obtained when operating in shaded range.

DOUBLE LIFE 4" CONE



PLAN VIEW

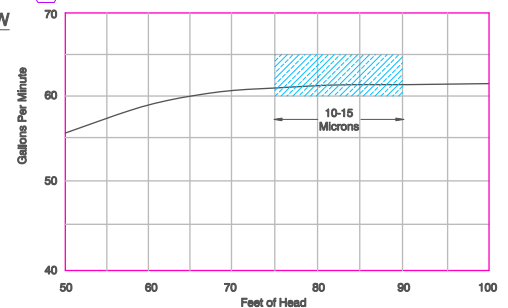


SIDE VIEW

BILL OF MATERIALS						
MARK	PART NO.	QUAN.	DESCRIPTION	LENGTH	WIDTH	WEIGHT
1	DL4F1	1	4" Feed Section			4.00
2	DL4CC2	1	4" Cone Clamp			1.00
3	DL4C3	1	4" Cone Body			3.00
4	DL45AHR	1	4" Slimline Apex Holder			1.00
5	DL4585	1	Apex Valve			0.05
TOTAL WEIGHT						9.05

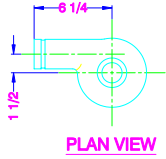
Port Schedule		
MARK	DESCRIPTION	Size
A	Inlet	2" Groove
B	Discharge	2" Groove
C	Underflow	Adjustable

OPTIMUM PARTICLE SEPARATION CHART

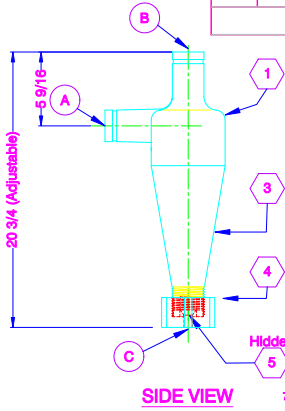


NOTE: Optimum separation is obtained when operating in shaded range.

DOUBLE LIFE 4" SCREW TYPE CONE

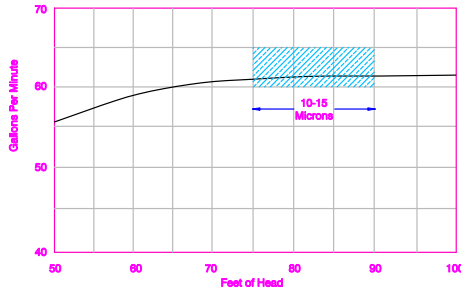


BILL OF MATERIALS						
MARK	PART NO.	QUAN.	DESCRIPTION	LENGTH	WIDTH	WEIGHT
1	DL4SF	1	4" Feed Section			4.00
2						1.00
3	DL4SC	1	4" Cone Body			3.00
4	DL4SAHR	1	4" Slimline Apex Holder (Rnd)			1.00
5	DL4585	1	Apex Valve			0.05
TOTAL WEIGHT						9.05



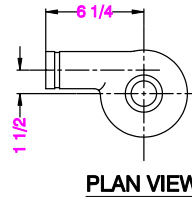
Port Schedule		
MARK	DESCRIPTION	Size
A	Inlet	2" Groove
B	Discharge	2" Groove
C	Underflow	Adjustable

OPTIMUM PARTICLE SEPARATION CHART

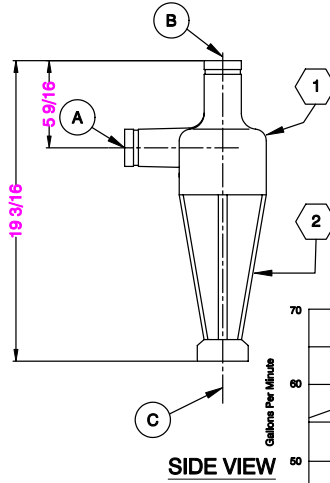


NOTE: Optimum separation is obtained when operating in shaded range.

DOUBLE LIFE FIXED ORIFICE 4" SCREW TYPE CONE

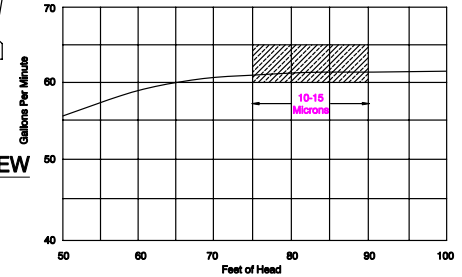


BILL OF MATERIALS						
MARK	PART NO.	QUAN.	DESCRIPTION	LENGTH	WIDTH	WEIGHT
1	DL4SF	1	4" Feed Section			4.00
2	DL4SC-FXED	1	4" Cone Body			1.00
TOTAL WEIGHT						9.05



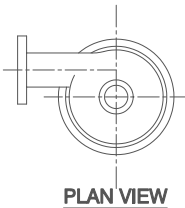
Port Schedule		
MARK	DESCRIPTION	Size
A	Inlet	2" Groove
B	Discharge	2" Groove
C	Underflow	3/8" FXED

OPTIMUM PARTICLE SEPARATION CHART

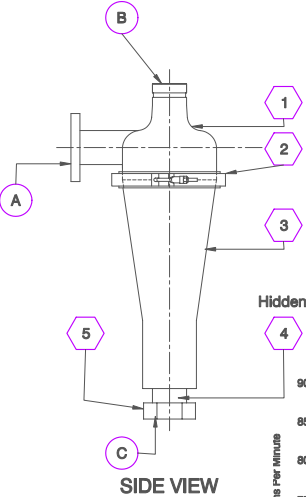


NOTE: Optimum separation is obtained when operating in shaded range.

HARRISBURG 5" CONE

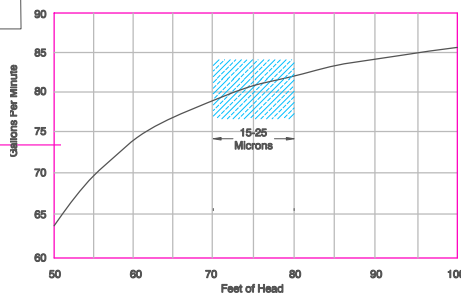


BILL OF MATERIALS						
MARK	PART NO.	QUAN.	DESCRIPTION	LENGTH	WIDTH	WEIGHT
1	DS6SF1	1	5" HB Feed Section			6.00
2	DL5SC2	1	5" Cone Clamp			1.50
3	DL5C3	1	5" HB Cone Body			5.50
4	DL5HA5	1	5" Apex Valve			0.05
5	DL5HAH	1	5" Apex Holder			1.00
TOTAL WEIGHT						14.05



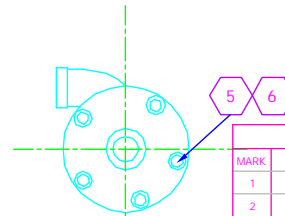
PORT SCHEDULE		
MARK	DESCRIPTION	Size
A	Inlet	2" Nominal Opening w/ 1-1/4" 125# Flange
B	Discharge	2" Groove
C	Underflow	Adjustable

OPTIMUM PARTICLE SEPARATION CHART

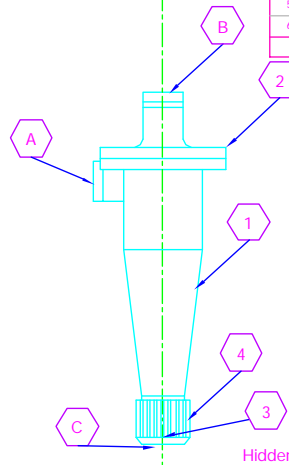


NOTE: Optimum separation is obtained when operating in shaded range.

BRANDT 4" CONE



BILL OF MATERIALS						
MARK	PART NO.	QUAN.	DESCRIPTION	LENGTH	WIDTH	WEIGHT
1	4BB4	1	Body 4" Brandt			8.00
2	4BT1	1	Top Flange 4" Brandt			4.00
3	4BA5	1	Apex Valve 4" Brandt			0.20
4	4BAD6	1	Nut 4" Brandt			0.80
5	B03F52081300028	5	Bolt			0.10
6	N16052081300000	5	Nut			0.10
TOTAL WEIGHT						13.20



PORT SCHEDULE		
MARK	DESCRIPTION	Size
A	Inlet	2" Nominal Opening
B	Discharge	2" Groove
C	Underflow	Adjustable



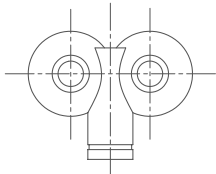
SWACO UT4 CONE

PORT SCHEDULE		
MARK	DESCRIPTION	Size
A	Inlet	2" Grooved
B	Discharge (Overflow)	2" Grooved
C	Underflow (See Cone P/N)	3/8", 1/2", 5/8"

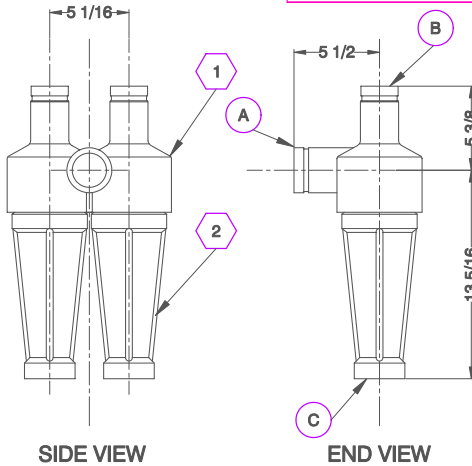
BILL OF MATERIALS				
P/N DBL96-22-220B, UT4 Cone Assy. w/ 3/8" Fixed Apex				
MARK	PART NO.	QUAN.	DESCRIPTION	WEIGHT
1	DBL96-22-221	1	Feed Section, UT4 Deailler Cone	6.00
2	DBL96-22-338	2	Apex With Fixed Orifices, 3/8", UT4 Deailler Cone	5.80
TOTAL WEIGHT				11.80

BILL OF MATERIALS				
P/N DBL96-22-220A, UT4 Cone Assy. w/ 1/2" Fixed Apex				
MARK	PART NO.	QUAN.	DESCRIPTION	WEIGHT
1	DBL96-22-221	1	Feed Section, UT4 Deailler Cone	6.00
2	DBL96-22-312	2	Apex With Fixed Orifices, 1/2", UT4 Deailler Cone	5.80
TOTAL WEIGHT				11.80

BILL OF MATERIALS				
P/N DBL96-22-220C, UT4 Cone Assy. w/ 5/8" Fixed Apex				
MARK	PART NO.	QUAN.	DESCRIPTION	WEIGHT
1	DBL96-22-221	1	Feed Section, UT4 Deailler Cone	6.00
2	DBL96-22-338	2	Apex With Fixed Orifices, 5/8", UT4 Deailler Cone	5.80
TOTAL WEIGHT				11.80



PLAN VIEW

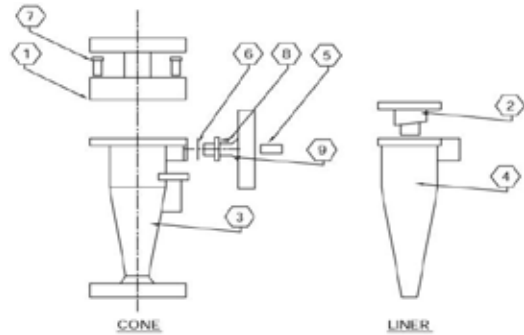


SIDE VIEW

END VIEW

SILTMASER 4" CAST CONE

Part Number	Ref.	Description
4SMAS300		4" SILTMASER CONE ASSEMBLY GREY IRON 300
4SMAS600-D		4" SILTMASER CONE ASSEMBLY DUCTILE 600
4SMTOP300	1	4" SILTMASER CONE TOP 300 F/G
4SMTOP600	1	4" SILTMASER CONE TOP F/DUCTILE
4SMTOP600-S	1	4" SILTMASER TOP F/STEEL CONE
4SVT3	2	4" SILTMASER VORTEX FINDER
4SVT3-N	2	4" SILTMASER VORTEX FINDER "NACE STYLE"
4SMBODY300	3	4" SILTMASER CONE BODY GREY IRON
4SMBODY600-D	3	4" SILTMASER BODY DUCTILE
4SMBODY600-S	3	4" SILTMASER CONE BODY STEEL
4SBP7	4	4" SILTMASER BLADDER POLY
4SBP7-N	4	4" SILTMASER BLADDER POLY "NACE STYLE"
4SMINSERT.5	5	4" SILTMASER INLET INSERT .5" BRASS
4SMINSERT.542	5	4" SILTMASER INLET INSERT .542" BRASS
4SMINSERT.7	5	4" SILTMASER INLET INSERT .7" BRASS
4SMINSERT.8	5	4" SILTMASER INLET INSERT .8" BRASS
4SMORING	6	4" SILTMASER INLET O-RING
4SMTOPSCREWS-H	7	4" TOP HARDWARE KIT
4SMINLETSCREWS-H	8	4" INLET ALLEN HEAD SCREWS & WASHERS KIT
4SMINLET300	9	4" SILTMASER INLET 300
4SMINLET600	9	4" SILTMASER INLET 600

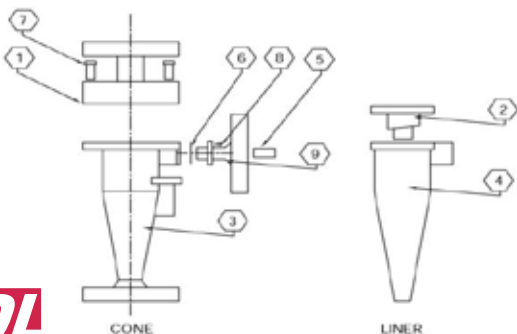


CONE

LINER

SILTMASER 4" STEEL CONE

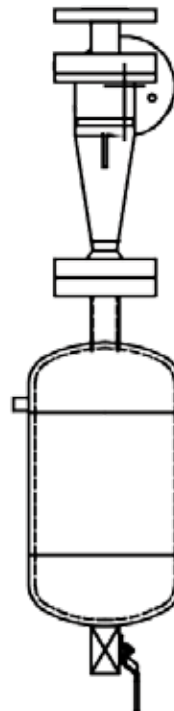
Part Number	Ref.	Description
4SMAS600-S		4" SILTMASER CONE ASSEMBLY CARBON STEEL BODY
4SMAS600-SN		4" SILTMASER CONE ASSEMBLY CARBON STEEL 600H "NACE STYLE"
4SMAS900-SN		4" SILTMASER CONE ASSEMBLY CARBON STEEL 900-1500H
4SMTOP600-S	1	4" SILTMASER TOP F/STEEL CONE 600H
4SMTOP900-S	1	4" SILTMASER TOP F/STEEL CONE 900H
4SVT3	2	4" SILTMASER VORTEX FINDER
4SVT3-N	2	4" SILTMASER VORTEX FINDER "NACE STYLE"
4SMBODY600-S	3	4" SILTMASER CONE BODY STEEL 600H
4SMBODY900-S	3	4" SILTMASER CONE BODY STEEL 900H
4SMBODY900-SN	3	4" SILTMASER CONE BODY STEEL 900H NACE STYLE
4SBP7	4	4" SILTMASER BLADDER POLY
4SBP7-N	4	4" SILTMASER BLADDER POLY "NACE STYLE"
4SMINSERT.5	5	4" SILTMASER INLET INSERT .5" BRASS
4SMINSERT.542	5	4" SILTMASER INLET INSERT .542" BRASS
4SMINSERT.7	5	4" SILTMASER INLET INSERT .7" BRASS
4SMINSERT.8	5	4" SILTMASER INLET INSERT .8" BRASS
4SMORING	6	4" SILTMASER INLET O-RING
4SMTOPSCREWS-H	7	4" TOP HARDWARE KIT
4SMINLETSCREWS-H	8	4" INLET ALLEN HEAD SCREWS & WASHERS KIT
4SMINLET600-S	9	4" SILTMASER INLET 600
4SMINLET600-SN	9	4" SILTMASER INLET 600 "NACE STYLE"
4SMINLET900-SN	9	4" SILTMASER INLET 900 "NACE STYLE"



CONE

LINER

SILTMASER 4" SILT POT



THESE CONES ARE DESIGNED FOR APPLICATIONS IN WHICH HIGHER OPERATING PRESSURES ARE ENCOUNTERED. AS A SINGLE-CONE INSTALLATION, UP TO 40-60 GPM CAN BE ACHIEVED. MULTIPLE-CONE ASSEMBLIES ARE ALSO AVAILABLE.

SILT POTS CATCH THE DISCHARGE OF THESE HIGH PRESSURE CONES AND ARE EQUIPPED WITH MANUAL DUMP VALVES AND WASH PORTS STANDARD.

CONE CROSS REFERENCE CHART

CONES INTERCHANGABLE

3" DOUBLE LIFE *50GPM*	4" DOUBLE LIFE *65 GPM*
4" HARRISBURG	4" PIONEER
4" PIONEER	4" HARRISBURG
4" SWECO	4" SWECO
4" GALIGHER	4" TOTCO
4" TOTCO	4" PERMATHANE
4" PERMATHANE	4" TRI-FLOW
4" RUMBA	4" RUMBA
4" TRI-FLOW	

5" DOUBLE LIFE *100 GPM*	10" DOUBLE LIFE *500 GPM*
5" HARRISBURG	10" HARRISBURG
5" RHUMBA	10" SWECO
5" SWECO	10" RHUMBA
5" H DEMCO	10" BAROID
6" GALIGHER	10" GALIGHER
	10" TOTCO
	12" SWACO
	12" BRANDT

Double Life Products are not affiliated with any of the following companies. References are for identification purposes only and are not trademarks or trade names used by or affiliated with Double Life.
 *Sweco & Brandt are trademarks of Varco *Harrisburg is a trademark of National Oil Well *Swaco is trademark of MI LLC *Demco is trademark of Cooper Cameron